



MP26 Right-Angle Gearmotor

MobilePower™ Series

Low Voltage - High Torque

MP26 MobilePower™

RIGHT-ANGLE GEARMOTOR

ElectroCraft's MP26 integrates a 4-pole PMDC brush motor with a 2-stage right-angle worm gearbox, designed for industrial applications, adding industrial grade cabling plus encoder feedback options to support positioning capability.

ElectroCraft MobilePower™ gearmotors feature an integrated design that provides increased performance and reliability at an affordable price compared to traditional motor/gearbox combinations. As with all ElectroCraft products, MobilePower™ gearmotors are customizable to meet specific application requirements.

Features:

- Smooth, efficient motion
- Durable and highly reliable integrated worm-gear design
 - Suitable for uneven terrain and curb-climbing
- High starting torque:
 - Peak starting torque up to 109.89Nm
 - 15-minute continuous torque up to 31.42Nm
- Configurable or completely customizable designs
 - Motor, gearbox, brake, encoder, cabling

Typical applications:

- Industrial traction applications
- Industrial lifts
- Automated Guided Vehicles
- Autonomous Mobile Robots

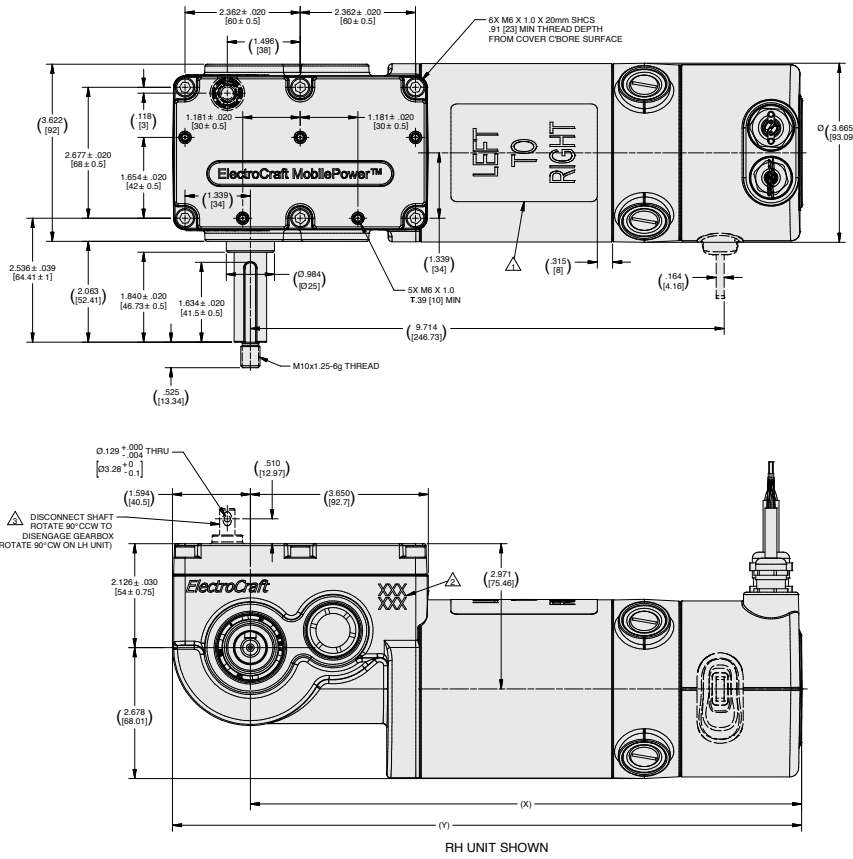


M	P	2	6	-	W	R	-	0	3	2	V	2	4	-	4	2	0	-	D
MTR-GRB Model					Gear Ratio			Rated Voltage			Connector Option		Encoder Option			Lead Option		Disengage Option	
MP26 = Standard Duty Gearbox with PMDC 4-Pole					016 = 16.44:1 018 = 17.88:1 020 = 19.50:1 021 = 21.33:1 025 = 24.67:1 027 = 26.82:1 029 = 29.25:1 032 = 32.00:1			24 = 24 VDC 48 = 48 VDC			0 = None		X = None C = 500 Line D = 1,000 Line			2 = Shielded Cable		0 = None 1 = w/o Gear Release, w/Standard Brake (No Release) 2 = w/o Gear Release, w/Manual Release Brake 3 = w/Gear Release, w/o Brake 4 = w/Gear Release, w/Standard Brake (No Release)	
Gearbox Option											Lead Option								
WR = Right Angle Worm & Spur W/ Right Hand Output Shaft																			
WL = Right Angle Worm & Spur W/ Left Hand Output Shaft																			

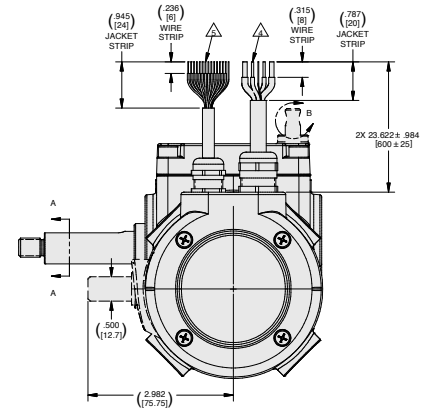
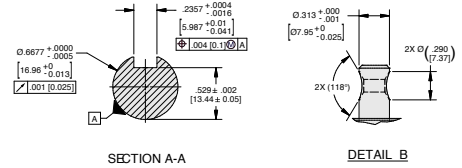
MP26 Right-Angle Gearmotor

MobilePower™ Series

Low Voltage - High Torque



MOTOR LENGTH TABLE		
DESIGN	"X"	"Y"
W/O BRAKE OR ENCODER	(10.083 [256.1])	(11.677 [296.6])
W/ STANDARD BRAKE	(10.595 [269.1])	(12.189 [309.6])
W/ MANUAL RELEASE BRAKE	(10.595 [269.1])	(12.189 [309.6])
W/ ENCODER	(10.201 [259.1])	(11.795 [299.6])
W/ ENCODER & STANDARD BRAKE	(11.303 [287.1])	(12.898 [327.6])
W/ ENCODER & MANUAL RELEASE BRAKE	(11.303 [287.1])	(12.898 [327.6])



MP26 Motor Parameters

Gear Ratio	32.00:1	29.25:1	26.82:1	24.67:1	21.33:1	19.50:1	17.88:1	16.44:1
Operating Voltage (VDC)	24							
No Load Speed (RPM)	115	126	137	149	173	189	206	224
Peak Torque (Nm)	109.89	100.45	92.11	84.72	73.25	66.97	61.4	56.46
Peak Current (Amps)	80.0							
Peak Power (Watts)	972							
S2 Torque (15 min) (Nm)	31.42	28.72	26.34	24.22	20.94	19.15	17.56	16.14
S2 Current (15 min) (Amps)	25.0							
S2 Power (15 min) (Watts)	355							
S1 Torque (Continuous) (Nm)	10.02	9.16	8.40	7.72	6.68	6.11	5.60	5.15
S1 Current (Continuous) (Amps)	10.0							
S1 Power (Continuous) (Watts)	121							
Torque Constant (Nm/A)	0.05918							
Voltage Constant (V/KRPM)	6.2							
Motor Inertia (Armature) (kg.mm ²)	1386.1							
Motor Winding Resistance (Ohms)	0.16							
Motor Winding Inductance (μH)	79							
Motor Max Winding Temp (°C)	155							
Motor Poles	4							
Motor Mass (kg)	6.53							

Notes:

Gear Motor specifications (torque, current, power) are reference values based on 25°C operating temperature.

Do not apply maximum current for more than 5 seconds or more than twice without 10 minutes between cycles



Your Genius. Our Drive.

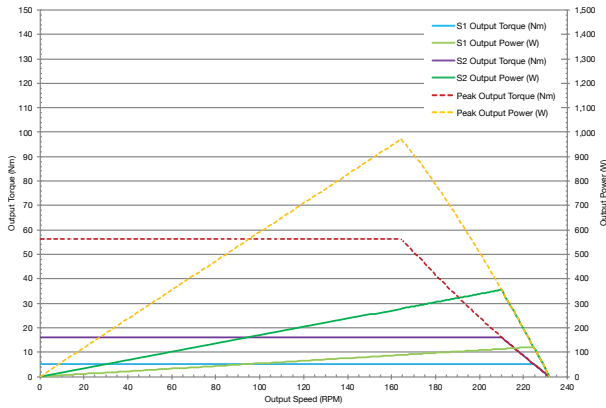
ElectroCraft, Inc.
2 Marin Way, Suite 3
Stratham, NH 03885-2578 USA

Tel: (844) 565-6144

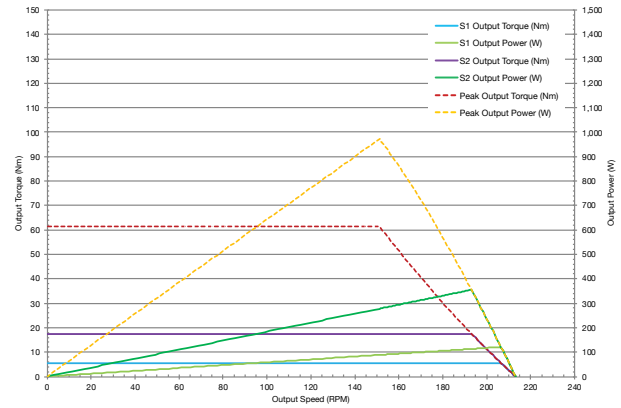
Email: sales@electrocraft.com
www.electrocraft.com

MP26 Motor Performance

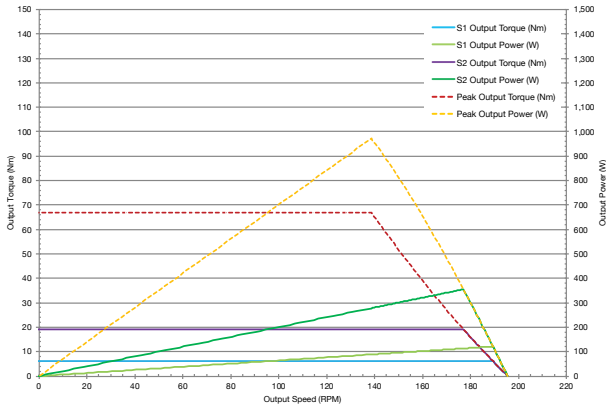
16.44:1 Ratio



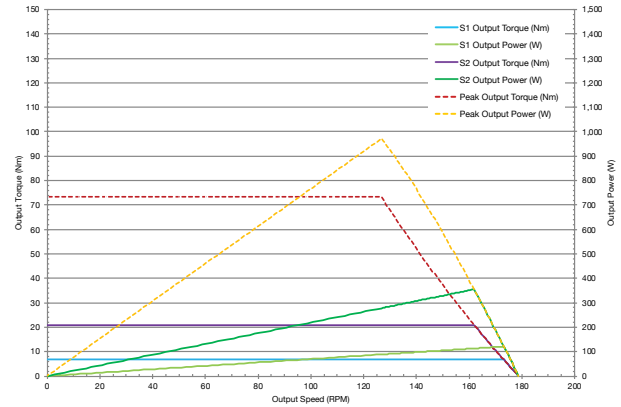
17.88:1 Ratio



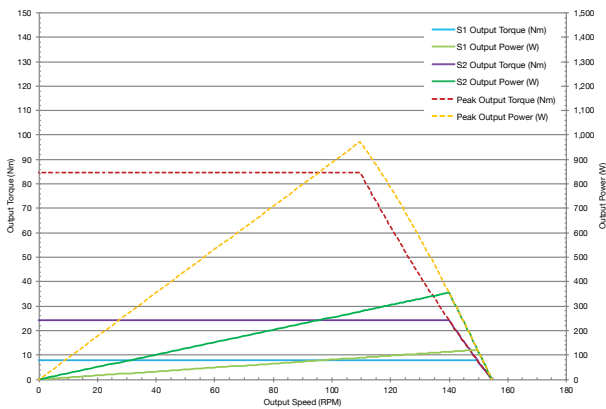
19.50:1 Ratio



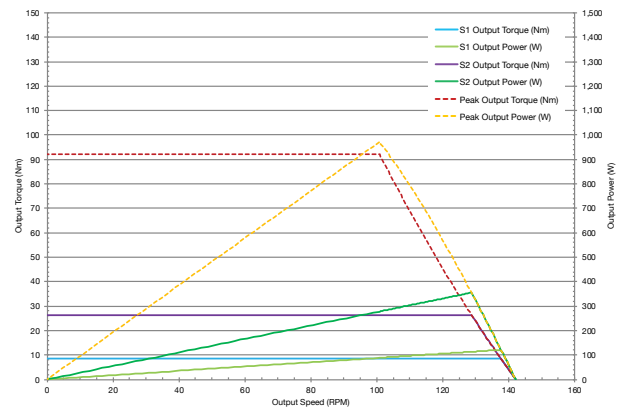
21.33:1 Ratio



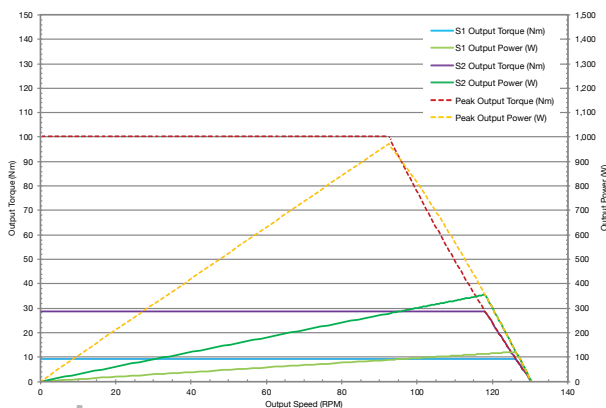
24.67:1 Ratio



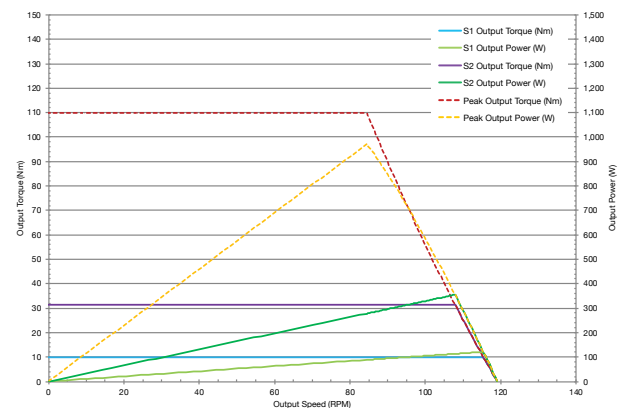
26.82:1 Ratio



29.25:1 Ratio



32.00:1 Ratio



Your Genius. Our Drive.

ElectroCraft, Inc.
2 Marin Way, Suite 3
Stratham, NH 03885-2578 USA

Tel: (844) 565-6144

Email: sales@electrocrafter.com
www.electrocrafter.com