

ElectroCraft

**PRO-A0xV36x-PE-
CAN**

**Programmable Servo Drive
for Step, DC, Brushless DC
and AC Motors**



Programmable Servo Drive

ElectroCraft Document Number
A11221 Rev 1

**Technical
Reference**

© ElectroCraft 2013

ELECTROCRAFT

PRO-A0xV36x-PE

Technical Reference

ElectroCraft Document Number
A11221

ElectroCraft
4480 Varsity Drive, Suite G
Ann Arbor, MI 48108

www.electrocraft.com

Read This First

While ElectroCraft believes that the information and guidance given in this manual is correct, all parties must rely upon their own skill and judgment when making use of it. ElectroCraft does not assume any liability to anyone for any loss or damage caused by any error or omission in the work, whether such error or omission is the result of negligence or any other cause. Any and all such liability is disclaimed.

All rights reserved. No part or parts of this document may be reproduced or transmitted in any form or by any means, electrical or mechanical including photocopying, recording or by any information-retrieval system without permission in writing from ElectroCraft, Inc.

The information in this document is subject to change without notice.

About This Manual

This book is a technical reference manual for the **PRO-A0xV36** family of programmable servo drives, including the following products:

PRO-A02V36x-PE-CAN PRO-A04V36x-PE-CAN
--

In order to operate the **PRO-A0xV36** drives, you need to perform the following 3 steps:

- Step 1 Hardware installation**
- Step 2 Drive setup** using the ElectroCraft **PROconfig** software for drive commissioning
- Step 3 Motion programming** using one of the options:
 - A **CANopen master**¹
 - The drive's **built-in motion controller** executing a ElectroCraft Motion PROgramming Language (**MPL**) program developed using ElectroCraft **MotionPRO Developer** software
 - A **MPL_LIB motion library for PCs** (Windows or Linux)
 - A **MPL_LIB motion library for PLCs**
 - A **distributed control** approach which combines the above options, like for example a host calling motion functions programmed on the drives in MPL

This manual covers **Step 1** in detail. It describes the **PRO-A0xV36** hardware including the technical data, the connectors and the wiring diagrams needed for installation. The manual also presents an overview of the following steps, and includes the scaling factors between the real SI units and the drive internal units. For detailed information regarding the next steps, refer to the related documentation.

Notational Conventions

This document uses the following conventions:

- **PRO-A0xV36x-PE** – all products described in this manual
- **IU units** – Internal units of the drive
- **SI units** – International standard units (meter for length, seconds for time, etc.)
- **MPL** – ElectroCraft Motion PROgramming Language
- **MPLCAN** – ElectroCraft protocol for exchanging MPL commands via CAN-bus

¹ when PRO-A0xV36 is set in CANopen mode

Related Documentation

Help Screens within the PROconfig software – describes how to use **PROconfig** to quickly setup any ElectroCraft PRO Series drive for your application using only 2 dialogues. The output of PROconfig is a set of setup data that can be downloaded into the drive EEPROM or saved on a PC file. At power-on, the drive is initialized with the setup data read from its EEPROM. With PROconfig it is also possible to retrieve the complete setup information from a drive previously programmed. PROconfig is part of the ElectroCraft Motion PRO Suite. Motion PRO Suite is available as part of a PRO Series Drive Evaluation Kit. Please contact ElectroCraft or your local ElectroCraft sales representative for more information on obtaining MotionPRO Suite or an evaluation kit.

PRO Series CANOpen Programming Manual (Document No. A11226) – explains how to program the PRO Series family of programmable drives using **CANopen** protocol and describes the associated object dictionary for **CiA 301 v.4.2** application layer and communication profile, **CiA WD 305 v.2.2.13** layer settings services and protocols and **CiA DSP 402 v3.0** device profile for drives and motion control now included in IEC 61800-7-1 Annex A, IEC 61800-7-201 and IEC 61800-7-301 standards

Motion Programming using ElectroCraft MotionPRO Suite (Document No. A11229) – describes how to use the MotionPRO Suite to create motion programs using the ElectroCraft Motion PROgramming Language (MPL). The MotionPRO Suite includes **PROconfig** for the drive/motor setup, and a Motion Editor for the motion programming. The Motion Editor provides a simple way of creating motion programs and automatically generates all the MPL instructions. *With MotionPRO Developer you can fully benefit from a key advantage of ElectroCraft drives – their capability to execute complex motions without requiring an external motion controller, thanks to their built-in motion controller.* Motion PRO Suite is available as part of a PRO Series Drive Evaluation Kit. Please contact ElectroCraft or your local ElectroCraft sales representative for more information on obtaining MotionPRO Suite or an evaluation kit.

PRO Series and LIB v2.0 (Document No. A11230) – explains how to program in **C, C++, C#, Visual Basic or Delphi Pascal** a motion application for the ElectroCraft programmable drives using using MPL_LIB v2.0, ElectroCraft Document Number A11230 motion control library for PCs. The MPL_LIB includes ready-to-run examples that can be executed on **Windows** or **Linux** (x86 and x64).

PRO Series and LabVIEW v2.0 Compatibility (Document No. A11231) – explains how to program in **LabVIEW** a motion application for the ElectroCraft programmable drives using MPL_LIB_Labview v2.0 motion control library for PCs. The MPL_LIB_LabVIEW includes over 40 ready-to-run examples.

PRO Series and PLC Siemens Series S7-300 or S7-400 (Document No. A11232) – explains how to program in a PLC **Siemens series S7-300 or S7-400** a motion application for the ElectroCraft programmable drives using MPL_LIB_S7 motion control library. The MPL_LIB_S7 library is **IEC61131-3 compatible**.

PRO Series and PLC Omron Series CJ1 (Document No. A11233) – explains how to program in a PLC **Omron series CJ1** a motion application for the ElectroCraft programmable drives using MPL_LIB_CJ1 motion control library for PLCs. The MPL_LIB_CJ1 library is **IEC61131-3 compatible**.

PRO Series and X20 (Document No. A11234) – explains how the MPL_LIB_X20 library is **IEC61131-3 compatible**.

ElectroCAN (Document No. A11235) – presents ElectroCAN protocol – an extension of the CANopen communication profile used for MPL commands

QS-PRO-A0xV36 (Document No. 11237) – describes the PRO-A0xV36 Quick-Start board included in the **PRO-A0xV36** Evaluation Kits

If you Need Assistance ...

If you want to ...	Contact ElectroCraft at ...
Visit ElectroCraft online	World Wide Web: http://www.electrocrafter.com/
Receive general information or assistance (see Note)	World Wide Web: http://www.electrocrafter.com Email: drivesupport@electrocrafter.com
Ask questions about product operation or report suspected problems (see Note)	Tel : +1 734.662-7771 Email: drivesupport@electrocrafter.com
Make suggestions about, or report errors in documentation (see Note)	Mail: ElectroCraft Michigan 4480 Varsity Drive, Suite G Ann Arbor, MI 48108 USA

Table of Contents

Read This First	III
1. Safety information.....	11
1.1. Warnings	2
1.2. Cautions	2
2. Product Overview.....	4
2.1. Introduction.....	4
2.2. Key Features	5
2.3. Supported Motor-Sensor Configurations	7
2.4. PRO-A0xV36Drive Dimensions	12
2.5. Electrical Specifications	13
2.5.1. Operating Conditions	13
2.5.2. Storage Conditions	13
2.5.3. Mechanical Mounting	13
2.5.4. Environmental Characteristics	13
2.5.5. Logic Supply Input (+V _{LOG}).....	14
2.5.6. Motor Supply Input (+V _{MOT}).....	14
2.5.7. Motor Outputs (A/A+, B/A-, C/B+, BR/B-)	14
2.5.8. Digital Inputs (IN0, IN1, IN2/LSP, IN3/LSN, IN4/Enable).....	15
2.5.9. Digital Outputs (OUT0, OUT1, OUT2/Error, OUT3/ Ready)	15
2.5.10. Digital Hall Inputs (Hall1, Hall2, Hall3).....	16
2.5.11. Encoder Inputs (A/A+, A-, B/B+, B-, Z/Z+, Z-)	16
2.5.12. Linear Hall Inputs (LH1, LH2, LH3).....	17
2.5.13. Sin-Cos Encoder Inputs (Sin+, Sin-, Cos+, Cos-).....	17
2.5.14. Analog 0...5V Inputs (REF, FDBK).....	17
2.5.15. Axis ID Inputs (AxisID 0, AxisID 1, Axis ID 2)	18
2.5.16. RS-232.....	18
2.5.17. CAN-Bus.....	18
2.5.18. Supply Output (+5V)	18
3. Step 1. Hardware Installation	21
3.1. Mechanical Mounting	21
3.1.1. Vertical Mounting	21
3.1.2. Horizontal Mounting	22
3.2. Motherboard PCB Design.....	24
3.3. Mating Connector and Retainer.....	27
3.4. Connector and Connection Diagrams	27
3.4.1. Connector Layout.....	27
3.4.2. Identification Labels	28
3.4.3. J1 Connector pinout (A Side).....	28

3.4.4.	J1 Connector pinout (B Side).....	29
3.4.5.	Operation Mode and Axis ID Selection	30
3.4.6.	24V Digital I/O Connection.....	38
3.4.7.	5V Digital I/O Connection.....	39
3.4.8.	Analog Inputs Connection.....	40
3.4.9.	Motor connections.....	42
3.4.10.	Feedback connections.....	46
3.4.11.	Power Supply Connection	51
3.4.12.	Serial RS-232 connection	54
3.4.13.	CAN-bus connection.....	55
3.4.14.	Disabling Autorun Mode	58
4.	Step 2. Drive Setup	59
4.1.	Installing PROconfig.....	59
4.2.	Getting Started with PROconfig	59
4.2.1.	Establish communication	60
4.2.2.	Setup drive/motor.....	61
4.2.3.	Download setup data to drive/motor	62
4.2.4.	Evaluate drive/motor behavior (optional)	63
4.3.	Changing the drive Axis ID.....	64
4.4.	Setting CANbus rate.....	66
4.5.	Creating an Image File with the Setup Data.....	67
5.	Step 3. Motion Programming	68
5.1.	Using a CANopen Master (for PRO-A0xV36 CANopen execution).....	68
5.1.1.	CiA-301 Application Layer and Communication Profile Overview	68
5.1.2.	CiA-305 Layer Setting Services (LSS) and Protocols Overview	69
5.1.3.	CiA-402 and Manufacturer Specific Device Profile Overview	69
5.1.4.	ElectroCAN Extension	69
5.1.5.	Checking Setup Data Consistency	69
5.2.	Using the built-in Motion Controller and MPL	70
5.2.1.	ElectroCraft Motion PROgramming Language Overview.....	70
5.2.2.	Installing MotionPRO Suite	70
5.2.3.	Getting Started with MotionPRO Suite.....	71
5.2.4.	Creating an Image File with the Setup Data and the MPL Program	77
5.3.	Combining CANopen /or other host with MPL.....	77
5.3.1.	Using MPL Functions to Split Motion between Master and Drives	78
5.3.2.	Executing MPL programs.....	78
5.3.3.	Loading Automatically Cam Tables Defined in MotionPRO Developer	78
5.3.4.	Customizing the Homing Procedures	78
5.3.5.	Customizing the Drive Reaction to Fault Conditions.....	79
5.4.	Using Motion Libraries for PC-based Systems	79
5.5.	Using Motion Libraries for PLC-based Systems.....	80

6.	Scaling factors.....	80
6.1.	Position units	81
6.1.1.	Brushless / DC brushed motor with quadrature encoder on motor	81
6.1.2.	Brushless motor with linear Hall signals	81
6.1.3.	DC brushed motor with quadrature encoder on load and tacho on motor ...	81
6.1.4.	Step motor open-loop control. No feedback device	82
6.1.5.	Step motor open-loop control. Incremental encoder on load	82
6.1.6.	Brushless motor with sine/cosine encoder on motor.....	82
6.2.	Speed units	83
6.2.1.	Brushless / DC brushed motor with quadrature encoder on motor	83
6.2.2.	Brushless motor with linear Hall signals	83
6.2.3.	DC brushed motor with quadrature encoder on load and tacho on motor ...	84
6.2.4.	DC brushed motor with tacho on motor	84
6.2.5.	Step motor open-loop control. No feedback device	84
6.2.6.	Step motor closed-loop control. Incremental encoder on motor	85
6.2.7.	Brushless motor with sine/cosine encoder on motor.....	85
6.3.	Acceleration units	86
6.3.1.	Brushless / DC brushed motor with quadrature encoder on motor	86
6.3.2.	Brushless motor with linear Hall signals	86
6.3.3.	DC brushed motor with quadrature encoder on load and tacho on motor ...	87
6.3.4.	Step motor open-loop control. No feedback device	87
6.3.5.	Step motor open-loop control. Incremental encoder on load	88
6.3.6.	Step motor closed-loop control. Incremental encoder on motor	88
6.3.7.	Brushless motor with sine/cosine encoder on motor.....	89
6.4.	Jerk units	89
6.4.1.	Brushless / DC brushed motor with quadrature encoder on motor	89
6.4.2.	Brushless motor with linear Hall signals	90
6.4.3.	DC brushed motor with quadrature encoder on load and tacho on motor ...	90
6.4.4.	Step motor open-loop control. No feedback device	90
6.4.5.	Step motor open-loop control. Incremental encoder on load	91
6.4.6.	Step motor closed-loop control. Incremental encoder on motor	91
6.4.7.	Brushless motor with sine/cosine encoder on motor.....	91
6.5.	Current units.....	92
6.6.	Voltage command units	92
6.7.	Voltage measurement units.....	93
6.8.	Time units.....	93
6.9.	Master position units	93
6.10.	Master speed units	93
6.11.	Motor position units	93
6.11.1.	Brushless / DC brushed motor with quadrature encoder on motor.....	93
6.11.2.	Brushless motor with linear Hall signals	94
6.11.3.	DC brushed motor with quadrature encoder on load and tacho on motor	94
6.11.4.	Step motor open-loop control. No feedback device	94
6.11.5.	Step motor open-loop control. Incremental encoder on load	94

6.11.6.	Step motor closed-loop control. Incremental encoder on motor	94
6.11.7.	Brushless motor with sine/cosine encoder on motor	95
6.12.	Motor speed units.....	95
6.12.1.	Brushless / DC brushed motor with quadrature encoder on motor.....	95
6.12.2.	Brushless motor with linear Hall signals	95
6.12.3.	DC brushed motor with quadrature encoder on load and tacho on motor	96
6.12.4.	DC brushed motor with tacho on motor	96
6.12.5.	Step motor open-loop control. No feedback device or incremental encoder on load	97
6.12.6.	Step motor closed-loop control. Incremental encoder on motor	97
6.12.7.	Brushless motor with sine/cosine encoder on motor	97
7.	Memory Map	99

This page is empty

1. Safety information

Read carefully the information presented in this chapter before carrying out the drive installation and setup! It is imperative to implement the safety instructions listed hereunder.

This information is intended to protect you, the drive and the accompanying equipment during the product operation. Incorrect handling of the drive can lead to personal injury or material damage.

Only qualified personnel may install, set up, operate and maintain the drive. A “qualified person” has the knowledge and authorization to perform tasks such as transporting, assembling, installing, commissioning and operating drives.

The following safety symbols are used in this manual:



WARNING!

SIGNALS A DANGER THAT MIGHT CAUSE BODILY INJURY TO THE OPERATOR. MAY INCLUDE INSTRUCTIONS TO PREVENT THIS SITUATION



CAUTION!

SIGNALS A DANGER FOR THE DRIVE, WHICH MIGHT DAMAGE THE PRODUCT OR OTHER EQUIPMENT. MAY INCLUDE INSTRUCTIONS TO AVOID THIS SITUATION



CAUTION!

INDICATES AREAS SENSITIVE TO ELECTROSTATIC DIS-CHARGES (ESD), WHICH REQUIRE HANDLING IN AN ESD PROTECTED ENVIRONMENT

1.1. Warnings



WARNING!

TO AVOID ELECTRIC ARCING AND HAZARDS, NEVER PLUG / UNPLUG THE PRO-A0xV36 FROM IT'S SOCKET WHILE THE POWER SUPPLIES ARE ON !



WARNING!

THE DRIVE MAY HAVE HOT SURFACES DURING OPERATION.



WARNING!

DURING DRIVE OPERATION, THE CONTROLLED MOTOR WILL MOVE. KEEP AWAY FROM ALL MOVING PARTS TO AVOID INJURY

1.2. Cautions



CAUTION!

THE POWER SUPPLIES CONNECTED TO THE DRIVE MUST COMPLY WITH THE PARAMETERS SPECIFIED IN THIS DOCUMENT



CAUTION!

TROUBLESHOOTING AND SERVICING ARE PERMITTED ONLY FOR PERSONNEL AUTHORISED BY ELECTROCRRAFT



CAUTION!

THE PRO-A0xV36 IS AN ELECTROSTATICALLY SENSITIVE DEVICE, WHICH WILL BE DAMAGED BY INCORRECT HANDLING. THEREFORE THE DRIVE

***SHALL BE REMOVED FROM ITS ORIGINAL PACKAGE
ONLY IN AN ESD PROTECTED ENVIRONMENT !***

To prevent electrostatic damage, avoid contact with insulating materials, such as synthetic fabrics or plastic surfaces. In order to discharge static electricity build-up, place the drive on a grounded conductive surface and also ground yourself.

2. Product Overview

2.1. Introduction

The **PRO-A0xV36** is a family of fully digital programmable servo drives, based on the latest DSP technology and they offer unprecedented drive performance combined with an embedded motion controller.

Suitable for control of brushless DC, brushless AC (vector control), DC brushed motors and step motors, the PRO-A0xV36 drives accept as position feedback incremental encoders (quadrature or sine/cosine) and linear Halls signals.

All drives perform position, speed or torque control and work in single, multi-axis or stand-alone configurations. Thanks to the embedded motion controller, the PRO-A0xV36 drives combine controller, drive and PLC functionality in a single compact unit and are capable to execute complex motions without requiring intervention of an external motion controller. Using the high-level ElectroCraft Motion PROgramming Language (MPL) the following operations can be executed directly at drive level:

- Setting various motion modes (profiles, PVT, PT, electronic gearing¹ or camming¹, etc.)
- Changing the motion modes and/or the motion parameters
- Executing homing sequences
- Controlling the program flow through:
 - Conditional jumps and calls of MPL functions
 - MPL interrupts generated on pre-defined or programmable conditions (protections triggered, transitions on limit switch or capture inputs, etc.)
 - Waits for programmed events to occur
- Handling of digital I/O and analog input signals
- Executing arithmetic and logic operations
- Performing data transfers between axes
- Controlling motion of an axis from another one via motion commands sent between axes
- Sending commands to a group of axes (multicast). This includes the possibility to start simultaneously motion sequences on all the axes from the group
- Synchronizing all the axes from a network

By implementing motion sequences directly at drive level you can really distribute the intelligence between the master and the drives in complex multi-axis applications, reducing both the development time and the overall communication requirements. For example, instead of trying to command each movement of an axis, you can program the drives using MPL to execute complex motion tasks and inform the master when these tasks are done. Thus, for each axis control the master job may be reduced at: calling MPL functions stored in the drive EEPROM and waiting for a message, which confirms the MPL functions execution completion.

All PRO-A0xV36 drives are equipped with a serial RS232 and a CAN 2.0B interface and can be set (hardware, via an AxisID input level) to operate in 2 modes:

- CANopen**
- MPLCAN**

When **CANopen** mode is selected, the PRO-A0xV36 conforms to **CiA 301 v4.2** application layer and communication profile, **CiA WD 305 v2.2.13** and **CiA DSP 402 v3.0** device profile for drives

¹ Available if the master axis sends its position via a communication channel

and motion control, now included in IEC 61800-7-1 Annex A, IEC 61800-7-201 and IEC 61800-7-301 standards. In this mode, the PRO-A0xV36 may be controlled via a CANopen master. As a bonus, PRO-A0xV36 offers a CANopen master the option to call motion sequences, written in MPL and stored in the drive EEPROM, using manufacturer specific objects (see for details par. 5.3).

When **MPLCAN** mode is selected, the PRO-A0xV36 behaves as standard ElectroCraft programmable drive and conforms to ElectroCraft protocol for exchanging MPL commands via CAN-bus. When MPLCAN protocol is used, it is not mandatory to have a master. Any PRO-A0xV36 can be set to operate standalone, and may play the role of a master to coordinate both the network communication/synchronization and the motion application via MPL commands sent directly to the other drives.

When higher level coordination is needed, apart from a CANopen master, the PRO-A0xV36 drives can also be controlled via a PC or a PLC using one of the **MPL_LIB** motion libraries.

For PRO-A0xV36 commissioning **PROconfig** or **MotionPRO Developer** PC applications may be used.

PROconfig is a subset of MotionPRO Suite, including only the drive setup part. The output of PROconfig is a set of setup data that can be downloaded into the drive EEPROM or saved on a PC file. At power-on, the drive is initialized with the setup data read from its EEPROM. With PROconfig it is also possible to retrieve the complete setup information from a drive previously programmed. PROconfig shall be used for drive setup in all cases where the motion commands are sent exclusively from a master. Hence neither the PRO-A0xV36 MPL programming capability nor the drive camming mode are used.

MotionPRO Suite includes PROconfig for the drive setup, and a **Motion Editor** for the motion programming. The Motion Editor provides a simple way of creating motion programs and automatically generates all the MPL instructions. *With MotionPRO Developer you can fully benefit from a key advantage of ElectroCraft drives – their capability to execute complex motions without requiring an external motion controller, thanks to their built-in motion controllers.* MotionPRO Developer, shall be used to program motion sequences in MPL. This is the PRO-A0xV36 typical operation mode when MPLCAN protocol is selected. MotionPRO Developer shall also be used with CANopen protocol, if the user wants to call MPL functions stored in the drive EEPROM or to use the camming mode. With camming mode, MotionPRO Developer offers the possibility to quickly download and test a cam profile and also to create a **.sw** file (see par. 5.2.4) with the cam data. The **.sw** file can be afterwards stored in a master and downloaded to the drive, wherever needed.

2.2. Key Features

- Fully digital servo drive suitable for the control of rotary or linear brushless, DC brush, and step motors
- Very compact design
- Standard PCIe 4x mating connector
- Sinusoidal (FOC) or trapezoidal (Hall-based) control of brushless motors
- Open or closed-loop control of 2 and 3-phase steppers
- Various modes of operation, including: torque, speed or position control; position or speed profiles, external analog reference or sent via a communication bus
- ElectroCraft Motion PROgramming Language (MPL) instruction set for the definition and execution of motion sequences
- Standalone operation with stored motion sequences
- Various motion programming modes:
 - Position profiles with trapezoidal or S-curve speed shape
 - Position, Velocity, Time (PVT) 3rd order interpolation
 - Position, Time (PT) 1st order interpolation

-
- Electronic gearing and camming¹
 - 35 Homing modes
 - Single-ended and RS-422 differential encoder interface
 - Single-ended, open collector Digital Hall sensor interface
 - Linear Hall sensor interface
 - Analog Sin/Cos encoder interface (differential $1V_{pp}$)
 - SSI, EnDAT, BiSS absolute encoders and resolver feedback possible with an additional feedback extension module
 - 2 analog inputs: 12-bit, 0-5V (Reference, Feedback) or general-purpose
 - 5 digital inputs: 5-36V, NPN: Enable, Limit switch +, Limit switch -, 2 general-purpose
 - 4 digital outputs : 5-36V, 0.5A, NPN open-collector: Ready, Error, 2 general-purpose
 - RS-232 serial interface (up to 115200 bps)
 - CAN-bus 2.0B up to 1Mbit/s with hardware axis ID selection²
 - Two operation modes:
 - **CANopen** – conforming with **CiA 301 v4.2**, **CiA WD 305 v2.2.13** and **CiA DSP 402 v3.0**
 - **MPLCAN** – programmable drive conforming with ElectroCraft protocol for exchanging MPL commands via CAN-bus
 - 1K × 16 internal SRAM memory
 - 4K × 16 E²ROM to store MPL programs and data
 - PWM switching frequency up to 100kHz
 - Motor supply: 9-36V
 - Logic supply: 7-36V. Separate supply is optional
 - Output current:
 - PRO-A02V36A-PE-CAN:: 2A² continuous; 3.2A peak
 - PRO-A04V36A-PE-CAN:: 4A³ continuous; 10A peak
 - Operating ambient temperature: 0-40°C (over 40°C with derating)
 - Hardware Protections:
 - Short-circuit between motor phases
 - Short-circuit from motor phases to ground
 - Over-voltage
 - Under-voltage
 - Over-current

¹ Available if the master axis sends its position via a communication channel

² 127 addresses in CANopen mode, 196 addresses in MPLCAN mode

² 2A cont. with DC, step and BLDC motors (trapezoidal), 2A amplitude (1.41A_{RMS}) for PMSM (sinusoidal)

³ 4A cont. with DC, step and BLDC motors (trapezoidal), 4A amplitude (2.82A_{RMS}) for PMSM (sinusoidal)

2.3. Supported Motor-Sensor Configurations

PRO-A0xV36 supports the following configurations:

1. Position, speed or torque control of a **brushless AC rotary motor** with an **incremental quadrature encoder** on its shaft. The brushless motor is vector controlled like a permanent magnet synchronous motor. It works with **sinusoidal** voltages and currents. Scaling factors take into account the transmission ratio between motor and load (rotary or linear). Therefore, the motion commands (for position, speed and acceleration) expressed in SI units (or derivatives) refer to the load¹, while the same commands, expressed in IU units, refer to the motor.

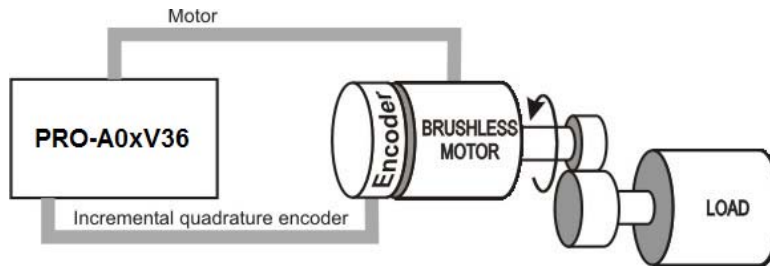


Figure 2.1. Brushless AC rotary motor. Position / speed / torque control. Quadrature encoder on motor.

2. Position, speed or torque control of a **brushless AC rotary motor** with an **incremental sine/cosine encoder** on its shaft. The brushless motor is vector controlled like a permanent magnet synchronous motor. It works with **sinusoidal** voltages and currents. Scaling factors take into account the transmission ratio between motor and load (rotary or linear). Therefore, the motion commands (for position, speed and acceleration) expressed in SI units (or derivatives) refer to the load¹, while the same commands, expressed in IU units, refer to the motor.

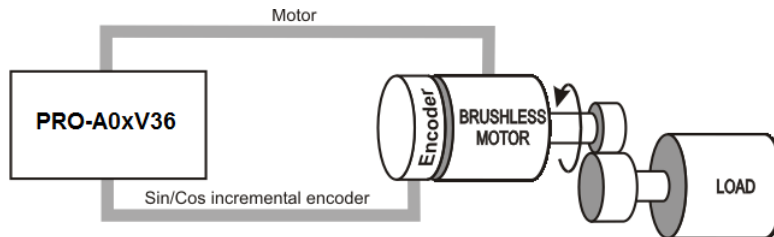


Figure 2.2. Brushless AC rotary motor. Position/speed/torque control. Sine/cosine incremental encoder on motor

3. Position, speed or torque control of a **brushless AC linear motor** with an **incremental sine/cosine encoder**. The brushless motor is vector controlled like a permanent magnet synchronous motor. It works with **sinusoidal** voltages and currents. Scaling factors take into account the transmission ratio between motor and load (rotary or linear). Therefore, the motion commands (for position, speed and acceleration) expressed in SI units (or derivatives) refer to the load, while the same commands, expressed in IU units, refer to the motor.

¹ Motion commands can be referred to the motor by setting in PROconfig a rotary to rotary transmission with ratio 1:1

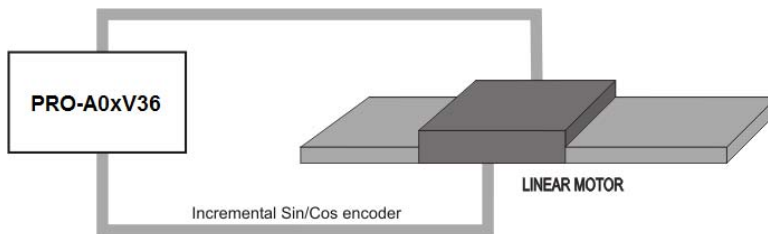


Figure 2.3. Brushless AC linear motor. Position/speed/torque control.
Sine/cosine incremental encoder on motor

4. Position, speed or torque control of a **brushless DC rotary motor** with **digital Hall sensors** and an **incremental quadrature encoder** on its shaft. The brushless motor is controlled using Hall sensors for commutation. It works with rectangular currents and **trapezoidal** BEMF voltages. Scaling factors take into account the transmission ratio between motor and load (rotary or linear). Therefore, the motion commands (for position, speed and acceleration) expressed in SI units (or derivatives) refer to the load, while the same commands, expressed in IU units, refer to the motor.

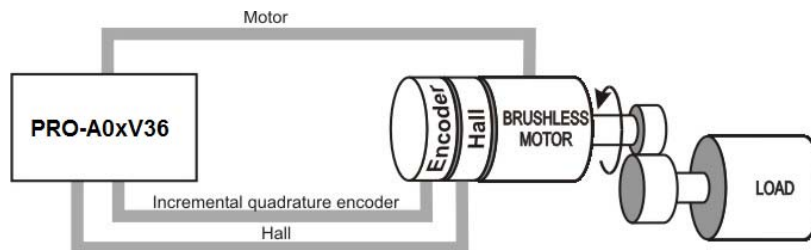


Figure 2.4. Brushless DC rotary motor. Position / speed / torque control.
Hall sensors and quadrature encoder on motor.

5. Position, speed or torque control of a **brushless AC linear motor** with an **incremental quadrature linear encoder** on the track. The brushless motor is vector controlled like a permanent magnet synchronous motor. It works with **sinusoidal** voltages and currents. Scaling factors take into account the transmission ratio between motor and load (linear or rotary). Therefore, the motion commands (for position, speed and acceleration) expressed in SI units (or derivatives) refer to the load¹, while the same commands, expressed in IU units, refer to the motor.

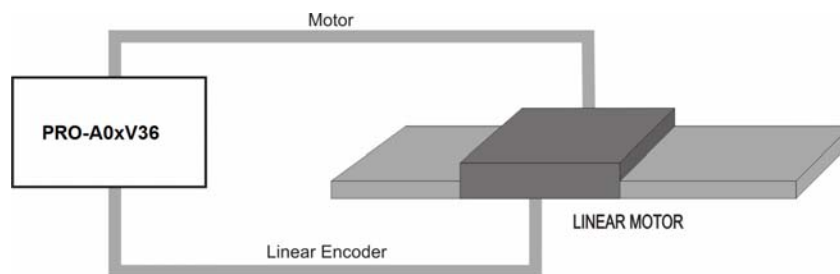


Figure 2.5. Brushless AC rotary motor with incremental quadrature linear encoder.
Position / speed / torque control.

6. Position, speed or torque control of a **brushless AC rotary motor** with **linear Hall signals**. The brushless motor is vector controlled like a permanent magnet synchronous motor. It works with **sinusoidal** voltages and currents. Scaling factors take into account the transmission ratio between motor and load (rotary or linear). Therefore, the motion

¹ Motion commands can be referred to the motor by setting in PROconfig a linear to linear transmission with ratio 1:1

commands (for position, speed and acceleration) expressed in SI units (or derivatives) refer to the load², while the same commands, expressed in IU units, refer to the motor.

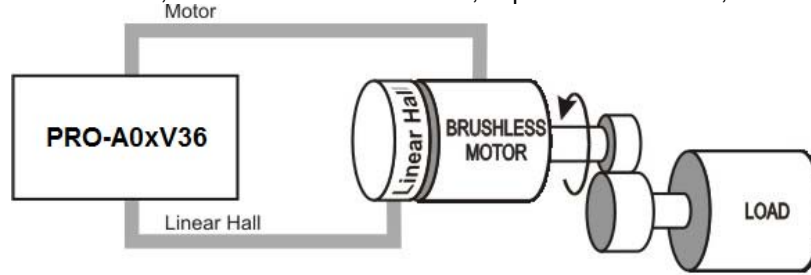


Figure 2.6. Brushless AC rotary motor with linear Hall signals.
Position / speed / torque control.

- Position, speed or torque control of a **brushless AC linear motor with linear Hall signals**. The brushless motor is vector controlled like a permanent magnet synchronous motor. It works with **sinusoidal** voltages and currents. Scaling factors take into account the transmission ratio between motor and load (rotary or linear). Therefore, the motion commands (for position, speed and acceleration) expressed in SI units (or derivatives) refer to the load, while the same commands, expressed in IU units, refer to the motor.

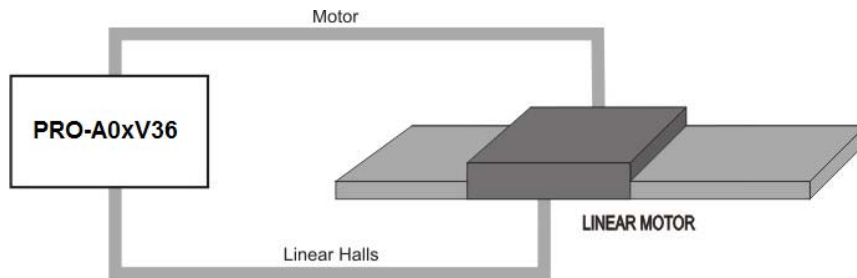
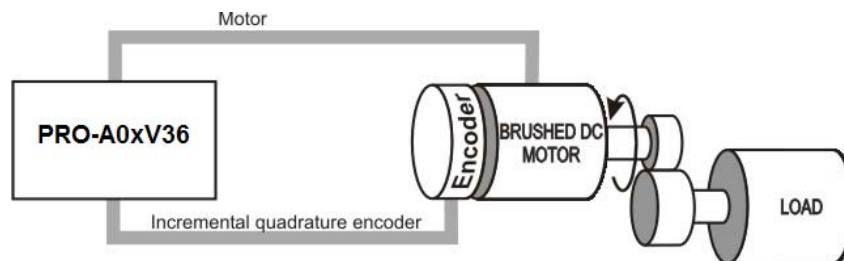


Figure 2.7. Brushless AC linear motor with linear Hall signals.
Position / speed / torque control.

- Position, speed or torque control of a **DC brushed rotary motor with an incremental quadrature encoder** on its shaft. Scaling factors take into account the transmission ratio between motor and load (rotary or linear). Therefore, the motion commands (for position, speed and acceleration) expressed in SI units (or derivatives) refer to the load¹, while the same commands, expressed in IU units, refer to the motor.



² Motion commands can be referred to the motor by setting in PROconfig a rotary to rotary transmission with ratio 1:1

¹ Motion commands can be referred to the motor by setting in PROconfig a rotary to rotary transmission with ratio 1:1

Figure 2.8. DC brushed rotary motor. Position / speed / torque control.
Quadrature encoder on motor.

9. Load position control using an **incremental quadrature encoder** on load, combined with speed control of a **DC brushed rotary motor** having a **tachometer** on its shaft. The motion commands (for position, speed and acceleration) in both SI and IU units refer to the load.

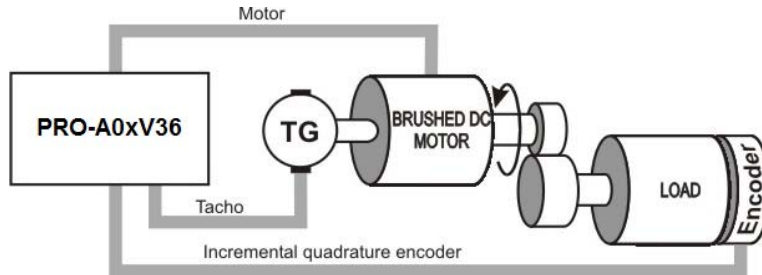


Figure 2.9. DC brushed rotary motor. Position / speed / torque control.
Quadrature encoder on load plus tachometer on motor.

10. Speed or torque control of a **DC brushed rotary motor** with a **tachometer** on its shaft. Scaling factors take into account the transmission ratio between motor and load (rotary or linear). Therefore, the motion commands (for speed and acceleration) expressed in SI units (or derivatives) refer to the load¹, while the same commands, expressed in IU units, refer to the motor.

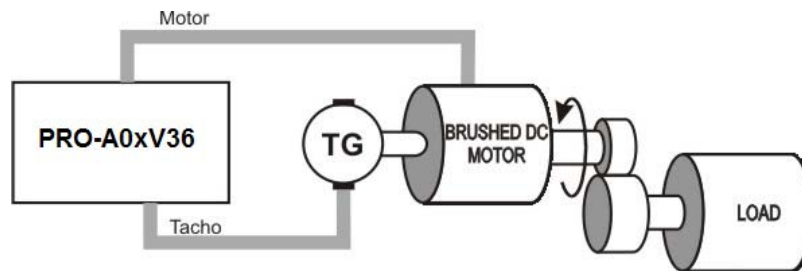


Figure 2.10. DC brushed rotary motor. Speed/torque control.
Tachometer on motor.

11. Open-loop control of a 2 or 3-phase **step motor** in position or speed. Scaling factors take into account the transmission ratio between motor and load (rotary or linear). Therefore, the motion commands (for position, speed and acceleration) expressed in SI units (or derivatives) refer to the load, while the same commands, expressed in IU units, refer to the motor.

¹ Motion commands can be referred to the motor by setting in PROconfig a rotary to rotary transmission with ratio 1:1

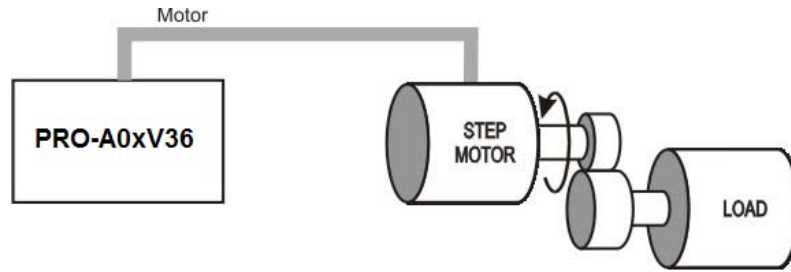


Figure 2.11. No position or speed feedback.
Open-loop control: motor position or speed.

12. Closed-loop control of **load position using an encoder on load**, combined with open-loop control of a **2 or 3-phase step motor** in speed, with speed reference provided by the position controller. The motion commands in both SI and IU units refer to the load.

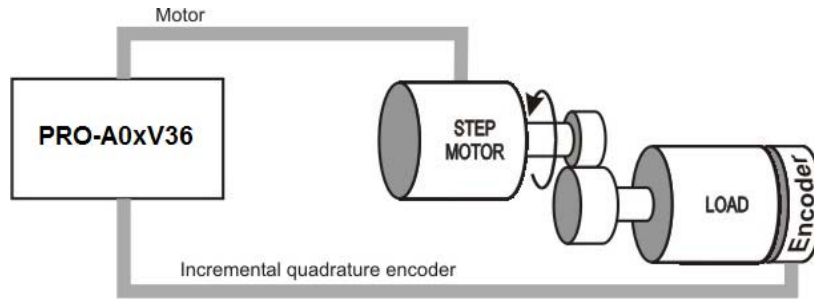


Figure 2.12. Encoder on load.
Closed-loop control: load position, open-loop control: motor speed.

13. Closed-loop control of a **2-phase step motor** in position, speed or torque. Scaling factors take into account the transmission ratio between motor and load (rotary or linear). Therefore, the motion commands expressed in SI units (or derivatives) refer to the load¹, while the same commands, expressed in IU units refer to the motor.

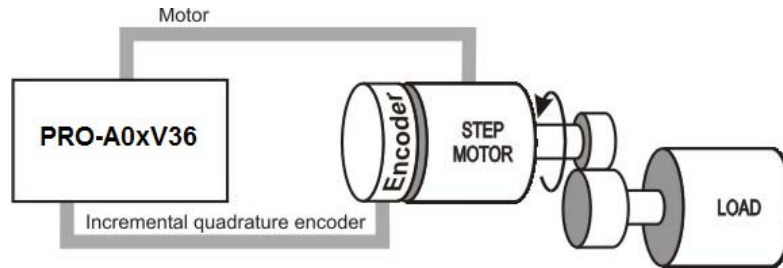


Figure 2.13. Encoder on motor shaft.
Closed-loop control: motor position, speed or torque.

¹ Motion commands can be referred to the motor by setting in PROconfig a rotary to rotary transmission with ratio 1:1

2.4. PRO-A0xV36 Drive Dimensions

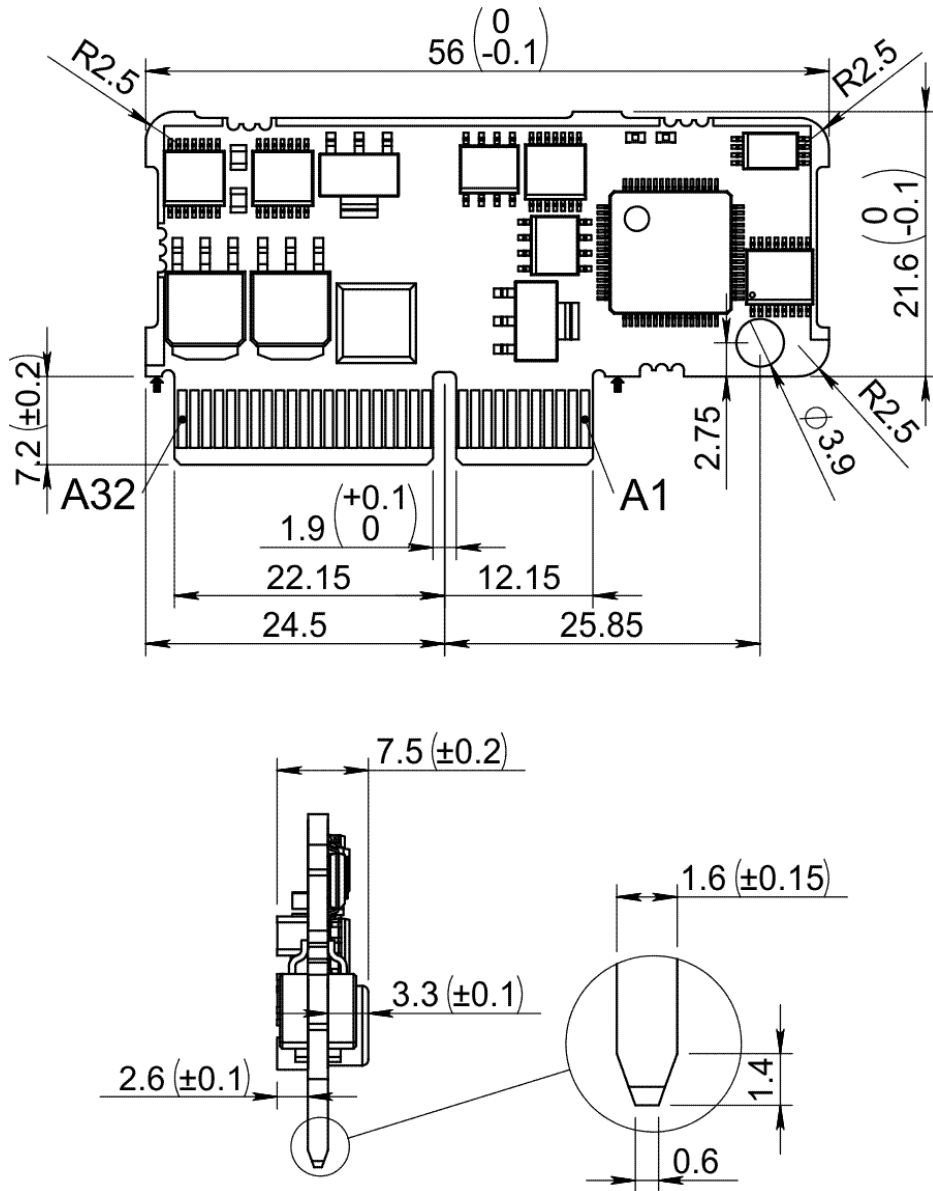


Figure 2.14. PRO-A0xV36 drive dimensions

All dimensions are in mm. The drawings are not to scale.

2.5. Electrical Specifications

All parameters measured under the following conditions (unless otherwise specified):

$T_{amb} = 0 \dots 40^{\circ}\text{C}$, $V_{LOG} = 24 V_{DC}$; $V_{MOT} = 36V_{DC}$; Supplies start-up / shutdown sequence: -any-
Load current (sinusoidal amplitude / continuous BLDC,DC,stepper) = 2A PRO-A02V36; 4A PRO-A04V36.

2.5.1. Operating Conditions

		Min.	Typ.	Max.	Units
Ambient temperature ¹		0		+40	°C
Ambient humidity	Non-condensing	0		90	%Rh
Altitude / pressure ²	Altitude (referenced to sea level)	-0.1	0 ÷ 2.5	²	Km
	Ambient Pressure	0 ²	0.75 ÷ 1	10.0	Atm

2.5.2. Storage Conditions

		Min.	Typ.	Max.	Units
Ambient temperature		-40		+85	°C
Ambient humidity	Non-condensing	0		100	%Rh
Ambient Pressure		0		10.0	atm
ESD capability (Human body model)	Not powered; applies to any accessible part			±0.5	kV
	Original packaging			±15	kV

2.5.3. Mechanical Mounting

		Min.	Typ.	Max.	Units
Airflow		natural convection ³ , closed box			
Spacing required for vertical mounting (see <i>Figure 3.2</i>)	Between adjacent drives	30			mm
	Between drives and nearby walls	30			mm
	Between drives and roof-top	20			mm
Spacing required for horizontal mounting (see <i>Figure 3.5</i>)	Between adjacent drives	4			mm
	Between drives and nearby walls	5			mm
	Space needed for drive removal	10			mm
	Between drives and roof-top	15			mm
Insertion force	Using recommended mating connectors; without retainer		20	36	N
Extraction force		5	10		N

2.5.4. Environmental Characteristics

		Min.	Typ.	Max.	Units
Size (Length x Width x Height)	Without mating connector / retainer	56 x 28.8 x 7.6			mm
		~2.2 x 1.1 x 0.3			inch
	With recommended mating vertical connector and retainer. Height above PCB surface.	63.3 x 32.6 x 16.3			mm
		~2.5 x 1.3 x 0.64			inch
	With recommended mating horizontal	56 x 41.2 x 7.6			mm

¹ Operating temperature can be extended up to **+65°C** with reduced current and power ratings. See *Figure 2.15* and *Figure 2.20*

² PRO-04V36 can be operated in vacuum (no altitude restriction), but at altitudes over 2,500m, current and power rating are reduced due to thermal dissipation efficiency. See *Figure 2.16* and *Figure 2.21*

³ In case of forced cooling (conduction or ventilation) the spacing requirements may drop down to mechanical tolerances as long as the ambient temperature is kept below the maximum operating limit

	connector. Height above PCB surface.	~2.2 x 1.6 x 0.3		inch
Weight		10		g
Power dissipation	Idle (no load)		1	W
	Operating		3	
Efficiency			98	%
Cleaning agents	Dry cleaning is recommended	Only Water- or Alcohol- based		
Protection degree	According to IEC60529, UL508	IP00		-

2.5.5. Logic Supply Input (+V_{LOG})

		Min.	Typ.	Max.	Units
Supply voltage	Nominal values	7		36	V _{DC}
	Absolute maximum values, drive operating but outside guaranteed parameters	4.9		42	V _{DC}
	Absolute maximum values, surge (duration ≤ 10ms) [†]	-1		+45	V
Supply current	+V _{LOG} = 7V		125	300	mA
	+V _{LOG} = 12V		80	200	
	+V _{LOG} = 24V		50	125	
	+V _{LOG} = 40V		40	100	

2.5.6. Motor Supply Input (+V_{MOT})

		Min.	Typ.	Max.	Units	
Supply voltage	Nominal values	9		36	V _{DC}	
	Absolute maximum values, drive operating but outside guaranteed parameters	8.5		40	V _{DC}	
	Absolute maximum values, surge (duration ≤ 10ms) [†]	-1		+45	V	
Supply current	Idle		1	5	mA	
	Operating	PRO-A04V36	-10	±4	+10	A
		PRO-A02V36	-3.2	±2	+3.2	
	Absolute maximum value, short-circuit condition (duration ≤ 10ms) [†]	PRO-A04V36			15	A
PRO-A02V36				5		

2.5.7. Motor Outputs (A/A+, B/A-, C/B+, BR/B-)

		Min.	Typ.	Max.	Units
Nominal output current, continuous	for DC brushed, steppers and BLDC motors with Hall-based trapezoidal control	PRO-A04V36		4	A
		PRO-A02V36		2	
	for PMSM motors with FOC sinusoidal control (sinusoidal amplitude value)	PRO-A04V36		4	
		PRO-A02V36		2	
	for PMSM motors with FOC sinusoidal control (sinusoidal effective value)	PRO-A04V36		2.82	
		PRO-A02V36		1.41	
Motor output current, peak	maximum 2.5s	PRO-A04V36	-10	+10	A

	maximum 24s	PRO-A02V36	-3.2		+3.2	A
Short-circuit protection threshold	measurement range	PRO-A04V36		±13	±15	A
		PRO-A02V36		±4.3	±5	
Short-circuit protection delay			5	10		µS
On-state voltage drop	Nominal output current; including typical mating connector contact resistance			±0.3	±0.5	V
Off-state leakage current				±0.5	±1	mA
Motor inductance (phase-to-phase)	Recommended value, for ripple ±5% of measurement range; +V _{MOT} = 36 V	F _{PWM} = 20 kHz	250			µH
		F _{PWM} = 40 kHz	120			
		F _{PWM} = 80 kHz	60			
		F _{PWM} = 100 kHz	45			
Motor inductance (phase-to-phase)	Absolute minimum value, limited by short-circuit protection; +V _{MOT} = 36 V	F _{PWM} = 20 kHz	75			µH
		F _{PWM} = 40 kHz	25			
		F _{PWM} = 80 kHz	10			
		F _{PWM} = 100 kHz	5			
Motor electrical time-constant (L/R)	Recommended value, for ±5% current measurement error due to ripple	F _{PWM} = 20 kHz	250			µs
		F _{PWM} = 40 kHz	125			
		F _{PWM} = 80 kHz	63			
		F _{PWM} = 100 kHz	50			
Current measurement accuracy	FS = Full Scale			±4	±8	%FS

2.5.8. Digital Inputs (IN0, IN1, IN2/LSP, IN3/LSN, IN4/Enable)

		Min.	Typ.	Max.	Units
Mode compliance		TTL / CMOS / LVTTTL (3.3V) / Open-collector / NPN / 24V outputs			
Default state	Input floating (wiring disconnected)	Logic HIGH			
Input voltage	Logic "LOW"		0	0.8	V
	Logic "HIGH"	2	5÷24		
	Floating voltage (not connected)		3		
	Absolute maximum, continuous	-10		+30	
	Absolute maximum, surge (duration ≤ 1S) †	-20		+40	
Input current	Logic "LOW"; Pulled to GND		0.6	1	mA
	Logic "HIGH"; Internal 4.7KΩ pull-up to +3.3	0	0	0	
	Logic "HIGH"; Pulled to +5V		0.15	0.2	
	Logic "HIGH"; Pulled to +24V		2	2.5	
Input frequency		0		150	KHz
Minimum pulse width		3.3			µS
ESD protection	Human body model	±5			KV

2.5.9. Digital Outputs (OUT0, OUT1, OUT2/Error, OUT3/ Ready)

		Min.	Typ.	Max.	Units
Mode compliance	All outputs (OUT0, OUT1, OUT2/Error, OUT3/Ready)	TTL / CMOS / Open-collector / NPN 24V			
	Ready, Error	Same as above + LVTTTL (3.3V)			
Default state	Not supplied (+V _{LOG} floating or to GND)	High-Z (floating)			
	Immediately after power-up	OUT0, OUT1	Logic "HIGH"		
		OUT2/Error, OUT3/ Ready	Logic "LOW"		
	Normal operation	OUT0, OUT1, OUT2/Error	Logic "HIGH"		
OUT3/Ready		Logic "LOW"			
Output voltage	Logic "LOW"; output current = 0.5A		0.2	0.8	V

	Logic "HIGH"; output current = 0, no load	OUT2/Error, OUT3/ Ready	2.9	3	3.3	
		OUT0, OUT1	4	4.5	5	
	Logic "HIGH", external load to +V _{LOG}			V _{LOG}		
	Absolute maximum, continuous		-0.5		V _{LOG} +0.5	
	Absolute maximum, surge (duration ≤ 1S) †		-1		V _{LOG} +1	
Output current	Logic "LOW", sink current, continuous				0.5	A
	Logic "LOW", sink current, pulse ≤ 5 sec.				1	A
	Logic "HIGH", source current; external load to GND; V _{OUT} ≥ 2.0V	OUT2/Error, OUT3/ Ready			2	mA
		OUT0, OUT1			4	mA
Logic "HIGH", leakage current; external load to +V _{LOG} ; V _{OUT} = V _{LOG} max = 40V			0.1	0.2	mA	
Minimum pulse width			2			μS
ESD protection		Human body model		±5		KV

2.5.10. Digital Hall Inputs (Hall1, Hall2, Hall3)

		Min.	Typ.	Max.	Units
Mode compliance		TTL / CMOS / Open-collector			
Default state	Input floating (wiring disconnected)	Logic HIGH			
Input voltage	Logic "LOW"		0	0.8	V
	Logic "HIGH"	2	5		
	Floating voltage (not connected)		4.4		
	Absolute maximum, surge (duration ≤ 1S) †	-10		+15	
Input current	Logic "LOW"; Pull to GND			1.2	mA
	Logic "HIGH"; Internal 4.7KΩ pull-up to +5	0	0	0	
Minimum pulse width		2			μS
ESD protection		Human body model		±5	KV

2.5.11. Encoder Inputs (A/A+, A-, B/B+, B-, Z/Z+, Z-)

		Min.	Typ.	Max.	Units
Single-ended mode compliance	Leave negative inputs disconnected	TTL / CMOS / Open-collector			
Input voltage, single-ended mode A/A+, B/B+	Logic "LOW"			1.6	V
	Logic "HIGH"	1.8			
	Floating voltage (not connected)		4.5		
Input voltage, single-ended mode Z/Z+	Logic "LOW"			1.2	V
	Logic "HIGH"	1.4			
	Floating voltage (not connected)		4.7		
Input current, single-ended mode A/A+, B/B+, Z/Z+	Logic "LOW"; Pull to GND		2.5	3	mA
	Logic "HIGH"; Internal 2.2KΩ pull-up to +5	0	0	0	
Differential mode compliance	For full RS422 compliance, see ¹	TIA/EIA-422-A			
Input voltage, differential mode	Hysteresis	±0.06	±0.1	±0.2	V
	Common-mode range (A+ to GND, etc.)	-7		+7	
Input impedance, differential	A+ to A-, B+ to B-	4.2	4.7		KΩ
	Z+ to Z-	6.1	7.2		

¹ For full RS-422 compliance, 120Ω termination resistors must be connected across the differential pairs, as close as possible to the drive input pins. See *Figure 3.21. Differential incremental encoder connection*

Input frequency	Single-ended mode, Open-collector / NPN	0		500	KHz
	Differential mode, or Single-ended driven by push-pull (TTL / CMOS)	0		10	MHz
Minimum pulse width	Single-ended mode, Open-collector / NPN	1			μ S
	Differential mode, or Single-ended driven by push-pull (TTL / CMOS)	50			nS
Input voltage, any pin to GND	Absolute maximum values, continuous	-7		+7	V
	Absolute maximum, surge (duration \leq 1S) [†]	-11		+14	
ESD protection	Human body model	\pm 1			KV

2.5.12. Linear Hall Inputs (LH1, LH2, LH3)

		Min.	Typ.	Max.	Units
Input voltage	Operational range	0	0.5+4.5	4.9	V
	Absolute maximum values, continuous	-7		+7	
	Absolute maximum, surge (duration \leq 1S) [†]	-11		+14	
Input current	Input voltage 0...+5V	-1	\pm 0.9	+1	mA
Interpolation Resolution	Depending on software settings			11	bits
Frequency		0		1	KHz
ESD protection	Human body model	\pm 1			KV

2.5.13. Sin-Cos Encoder Inputs (Sin+, Sin-, Cos+, Cos-)

		Min.	Typ.	Max.	Units
Input voltage, differential	Sin+ to Sin-, Cos+ to Cos-		1	1.25	V _{PP}
Input voltage, any pin to GND	Operational range	-1	2.5	4	V
	Absolute maximum values, continuous	-7		+7	
	Absolute maximum, surge (duration \leq 1S) [†]	-11		+14	
Input impedance	Differential, Sin+ to Sin-, Cos+ to Cos- ¹	4.2	4.7		K Ω
	Common-mode, to GND		2.2		K Ω
Interpolation Resolution	Depending on software settings			11	bits
Frequency	Sin-Cos interpolation	0		450	KHz
	Quadrature, no interpolation	0		10	MHz
ESD protection	Human body model	\pm 1			KV

2.5.14. Analog 0...5V Inputs (REF, FDBK)

		Min.	Typ.	Max.	Units
Input voltage	Operational range	0		4.95	V
	Absolute maximum values, continuous	-12		+18	
	Absolute maximum, surge (duration \leq 1S) [†]			\pm 36	
Input impedance	To GND		30		K Ω
Resolution			12		bits
Integral linearity				\pm 2	bits
Offset error			\pm 2	\pm 10	bits
Gain error			\pm 1%	\pm 3%	% FS ²

¹ For many applications, an 120 Ω termination resistor should be connected across SIN+ to SIN-, and across COS+ to COS-. Please consult the feedback device datasheet for confirmation.

² "FS" stands for "Full Scale"

Bandwidth (-3dB)	Depending on software settings	0		1	KHz
ESD protection	Human body model	±5			KV

2.5.15. Axis ID Inputs (AxisID 0, AxisID 1, Axis ID 2)

		Min.	Typ.	Max.	Units
External connections	7 levels	Not connected; Strap to GND; Strap to +5V; 4.7KΩ to GND; 4.7KΩ to +5V; 22KΩ to GND; 22KΩ to +5V;			
Pin current	Use to size PCB tracks			±0.5	mA
4.7KΩ/22KΩ resistor rating		3			mW
4.7KΩ/22KΩ resistor tolerance				±5	%
ESD protection	Human body model	±5			KV

2.5.16. RS-232

		Min.	Typ.	Max.	Units
Standards compliance		TIA/EIA-232-C			
Bit rate	Depending on software settings	9600		115200	Baud
Short-circuit protection	232TX short to GND	Guaranteed			
ESD protection	Human body model	±2			KV

2.5.17. CAN-Bus

		Min.	Typ.	Max.	Units
Standards compliance		ISO11898, CiA-301v4.2, CiA-DSP402v3.0			
Bit rate	Depending on software settings	125		1000	Kbps
Bus length	1Mbps			25	m
	800Kbps			50	
	500Kbps			100	
	≤ 250Kbps			250	
Number of CAN nodes/drives			125	-	
Termination resistor	Between CAN-Hi, CAN-Lo	none on-board			
Node addressing	Strapping option (AxisID0,1,2)	1 ÷ 127 (CANopen); 1-195 & 255 (MPLCAN)			-
ESD protection	Human body model	±15			KV

2.5.18. Supply Output (+5V)

		Min.	Typ.	Max.	Units
+5V output voltage	Current sourced = 250mA	4.8	5	5.2	V
+5V output current		250	350		mA
Short-circuit protection		NOT protected			
Over-voltage protection		NOT protected			
ESD protection	Human body model	±1			KV

† Stresses beyond values listed under “absolute maximum ratings” may cause permanent damage to the device. Exposure to absolute-maximum-rated conditions for extended periods may affect device reliability.

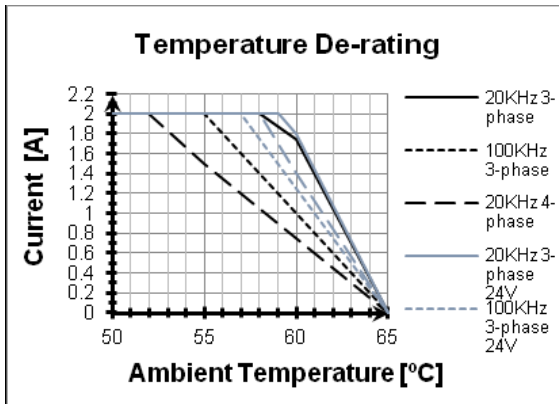


Figure 2.15 PRO-A02V36-PE De-rating with ambient temperature

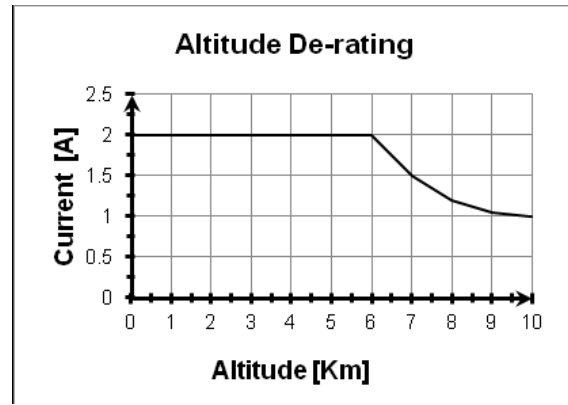


Figure 2.16 PRO-A02V36-PE De-rating with altitude

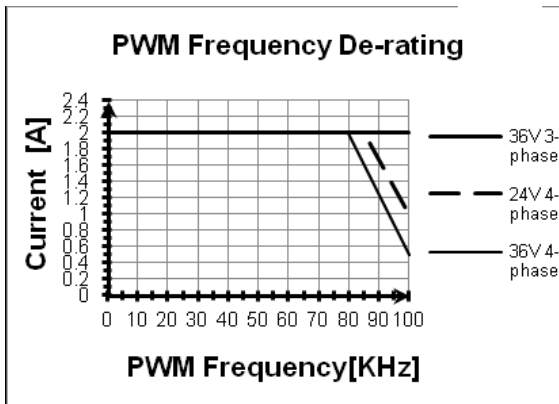


Figure 2.17 PRO-A02V36-PE Current De-rating with PWM frequency

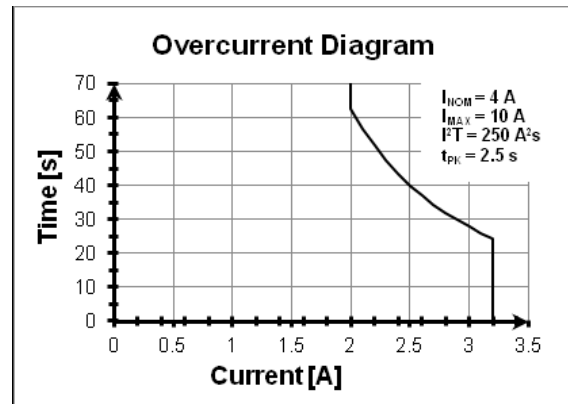


Figure 2.18 PRO-A02V36-PE Over-current diagram

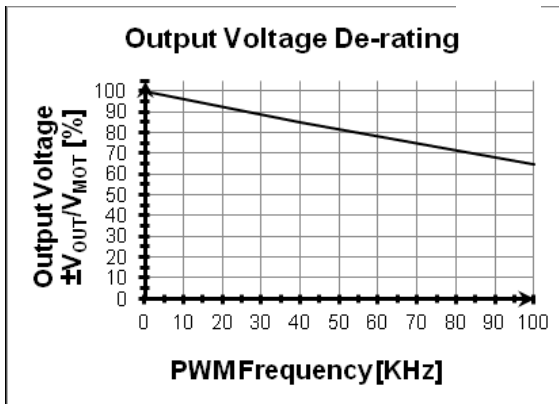


Figure 2.19. PRO-A0xV36 Output Voltage De-rating with PWM frequency¹

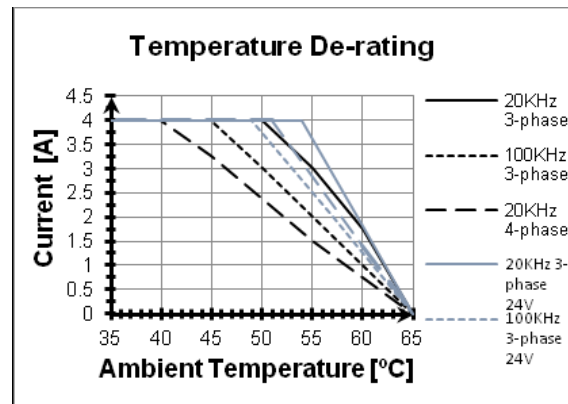


Figure 2.20. PRO-A04V36 VX De-rating with ambient temperature

¹ V_{OUT} – the output voltage, V_{MOT} – the motor supply voltage

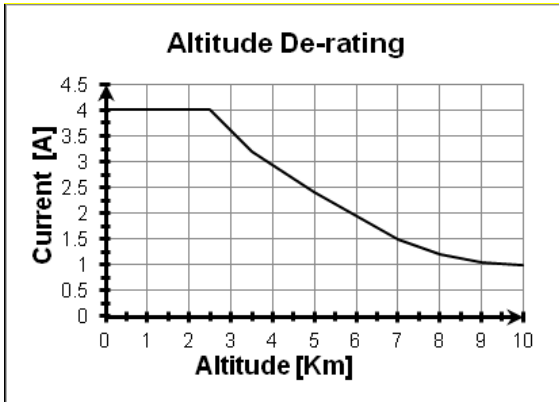


Figure 2.21. PRO-A04V36-PE De-rating with altitude

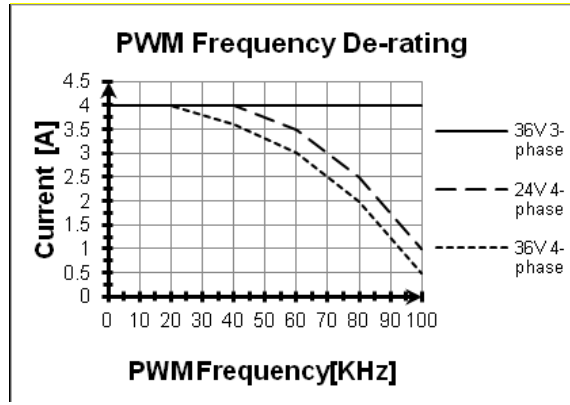


Figure 2.22. PRO-A04V36-PE Current De-rating with PWM frequency

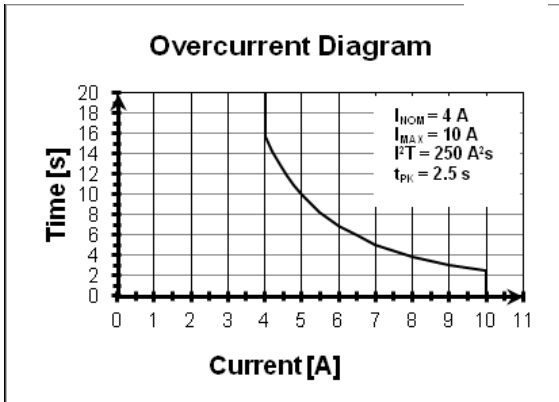


Figure 2.23. PRO-A04V36-PEX Over-current diagram



CAUTION!

FOR PWM FREQUENCIES LESS THAN 20 KHZ, CORRELATE THE PWM FREQUENCY WITH THE MOTOR PARAMETERS IN ORDER TO AVOID POSSIBLE MOTOR DAMAGE.

3. Step 1. Hardware Installation

3.1. Mechanical Mounting

The PRO-A0xV36 drive is intended to be mounted vertically or horizontally on a motherboard equipped with the recommended mating connectors, as specified in chapter 3.3. Several PRO-A0xV36 drives can be hosted by a single motherboard.

For thermal calculations, each PRO-A0xV36 drive can be assumed to generate 1 Watt at idle, and up to 3 Watts (= 10 BTU/hour) worst case while driving a motor.

3.1.1. Vertical Mounting

When PRO-A0xV36 is mounted vertically, its overall envelope (size) including the recommended mating connector and an optional retainer is shown in *Figure 3.1*. In absence of a fixing case holding the drive in the mating connector, the use of the retainers is strongly recommended, to avoid vibration and shock problems.

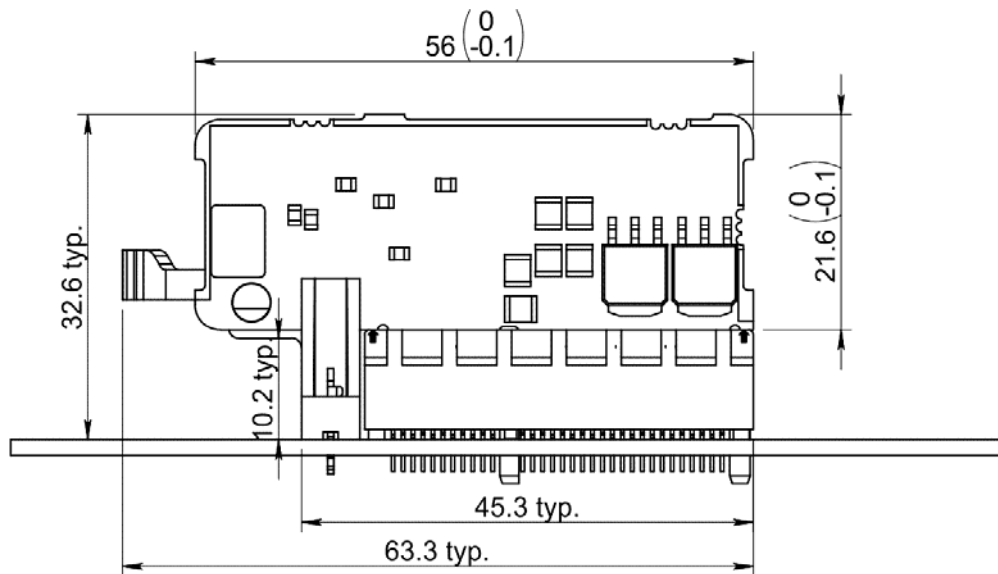


Figure 3.1 Overall dimensions using recommended mating connector and retainer

The ensemble motherboard + PRO-A0xV36 drive(s) can be cooled by natural convection. The motherboard can be mounted horizontally or vertically. In both cases, the air temperature must not exceed the limits indicated in *Figure 2.15* and *Figure 2.20*

Figure 3.2. shows the recommended spacing to assure proper airflow by natural convection, in the worst case – closed box done from a plastic (non-metallic) material with no ventilation openings.

Whenever possible, ventilation openings shall be foreseen on the top side wall or the box and at the bottom of the lateral walls. When using a horizontal motherboard considerably larger than the size of the hosted PRO-A0xV36 drives, it is recommended to provide ventilation holes also in the motherboard PCB.

Remark: In case of using a metallic box, with ventilation openings, all spacing values may be reduced substantially. With proper ventilation, keeping the air surrounding the PRO-A0xV36 inside the limits indicated in *Figure 2.15* and *Figure 2.20* the spacing values may be reduced down to the mechanical tolerance limits of *Figure 3.1*.

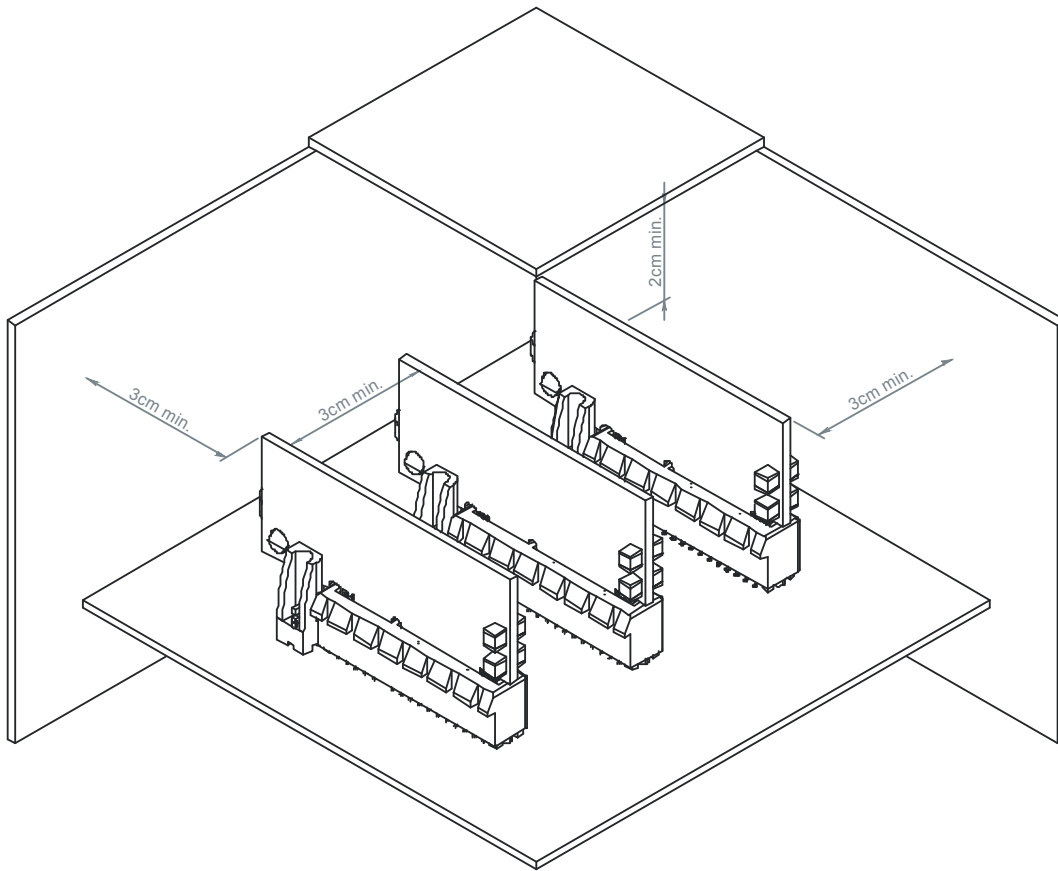


Figure 3.2 Recommended spacing for vertical mounting, *worst case: non-metallic, closed box*

For ventilation holes / slots that pierce a metallic wall also used for EMI shielding, the maximum slot length d should be less than $\lambda/16$, where λ is the wavelength corresponding to maximum filtered frequency (f_f):

$$d < \frac{\lambda}{16} = \frac{3 \cdot 10^8}{16 \cdot f_f}$$

If ventilation driven by natural convection is not enough to maintain the temperature surrounding the PRO-A0xV36 drive(s) inside the limits indicated in *Figure 2.15* and *Figure 2.20* then alternate forced cooling methods must be applied.

3.1.2. Horizontal Mounting

When PRO-A0xV36 is mounted horizontally, its overall envelope (size) including the recommended mating connector is shown in *Figure 3.3*. The PRO-A0xV36 has 6 fixing shoulders that may be used to secure the drive. *Figure 3.4* details the fixing shoulders position.

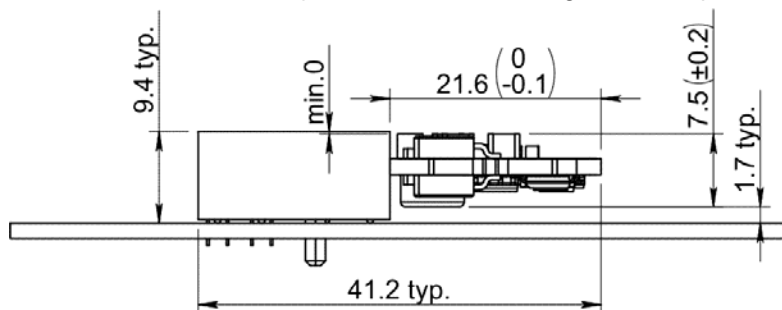


Figure 3.3 Overall dimensions for horizontal mounting

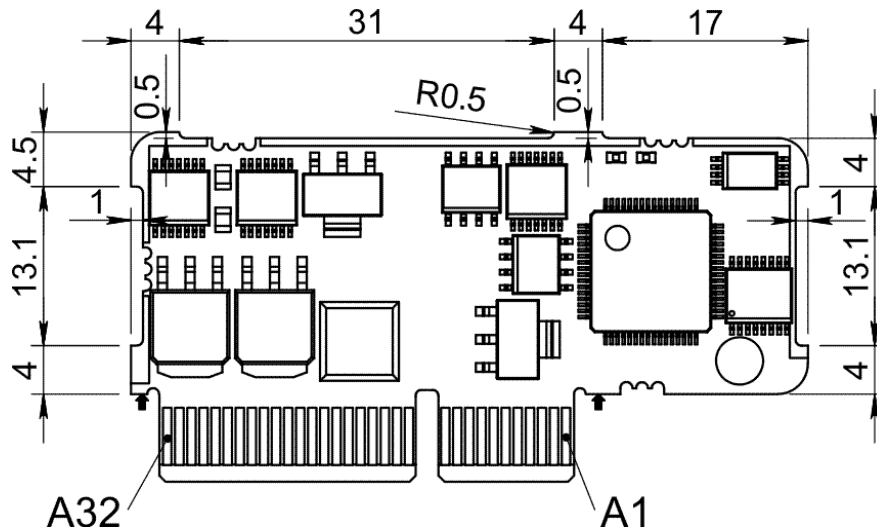


Figure 3.4 Fixing shoulders position

Figure 3.5 shows the recommended spacing to assure proper airflow by natural convection, *in the worst case* – closed box done from a plastic (non-metallic) material with no ventilation openings. Whenever possible, ventilation openings shall be foreseen. Recommendations for their size and position are presented in par.3.1.2.

Remark: In case of using a metallic box, with ventilation openings, all spacing values may be reduced substantially. With proper ventilation, keeping the air surrounding the PRO-A0xV36 inside the limits indicated in Figure 2.15 and Figure 2.20 the spacing values may be reduced down to the mechanical tolerance limits of Figure 3.1.

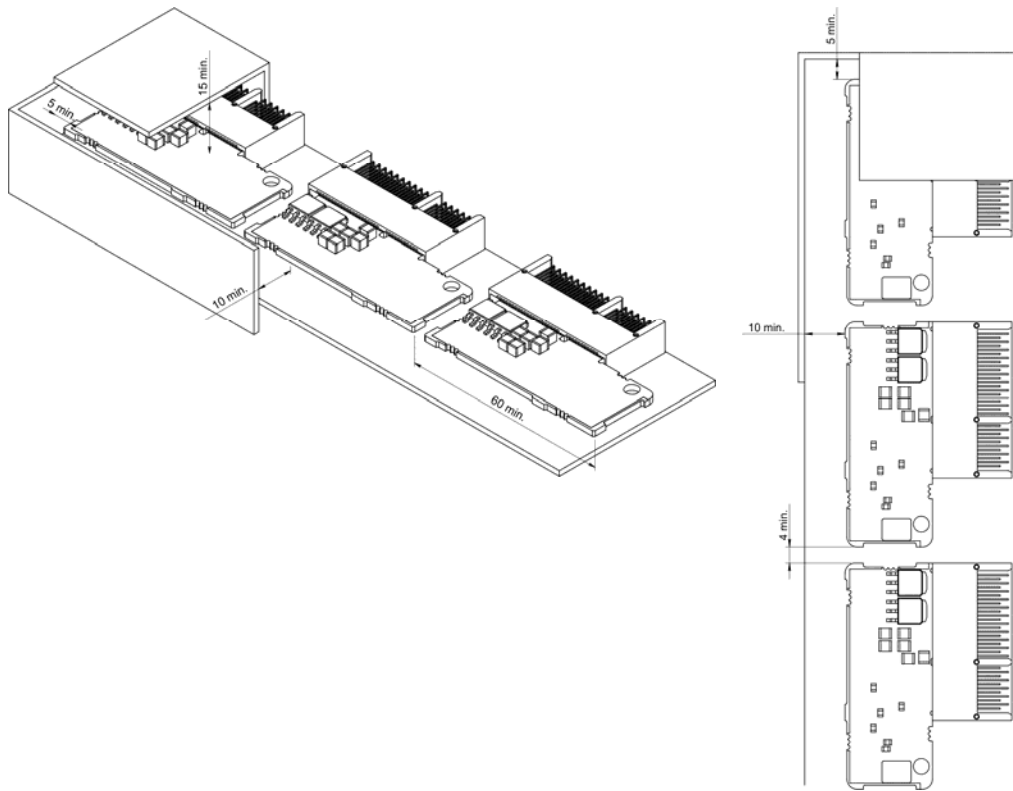


Figure 3.5 Recommended spacing for horizontal mounting, worst case: non-metallic, closed box

3.2. Motherboard PCB Design

The PRO-A0xV36 drive, when plugged vertically into the recommended mating connector and retainer, has the following PCB footprint:

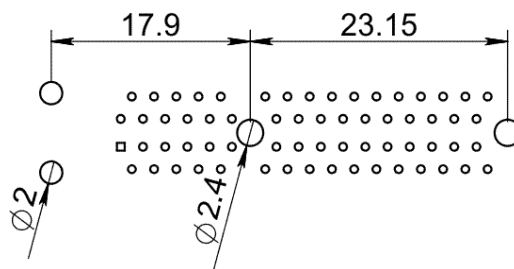


Figure 3.6 PCB footprint of mating connector and retainer

It is recommended to use a multi-layer PCB for the motherboard, in order to have enough room for routing all the 64 pins of the PRO-A0xV36. Using a 2-layer PCB is possible when some of the PRO-A0xV36 pins remain un-connected.

Below is a list of recommendations for the PCB design of the motherboard:

- Motor supply and motor outputs: use islands / areas of copper to escape connector area; this will maximize current capability. When using simple tracks, use at least 100mil cross section (75mil track width for 1oz/ft² copper thickness) – for PRO-A0xV36. Halve these values for the PRO-A02V36.

- Motor supply and ground return tracks between PRO-A0xV36 and the nearby V_{MOT} decoupling capacitor are to be considered as EMI sources, and kept to a minimum length.
- Place the decoupling capacitors on V_{MOT} and V_{LOG} (see also 3.4.11. Power Supply Connection) as close as physically possible to the PRO-A0xV36, to minimize EM radiated emissions. For un-shielded applications (no metallic box) and typical EMC regulations, the spacing between PRO-A0xV36 and capacitors must be less than 3 centimeters.
- In multi-axis applications (multiple PRO-A0xV36 drives on the same motherboard), it is preferable to have a separate decoupling capacitor for each drive's V_{MOT} . For V_{LOG} it is acceptable to share one decoupling capacitor for two drives.
- For stringent EMI requirements, it may be necessary to add common-mode filtering on the motor and/or logic supply inputs. Be sure to use 3-phase EMC filters, not 2-phase filters, in order to fulfill the basic requirement of zero common-mode current through the filter. This is necessary because the ground negative return is shared between V_{MOT} and V_{LOG} .
- Motor outputs shall be routed with parallel traces, and minimizing the loop area between these tracks. Avoid placing components above or below the motor output tracks, as these components may become effective antennas radiating EMI. If possible, route all 4 motor outputs in strip-line configuration (above or below a ground plane).
- For stringent EMI requirements, it may be necessary to add common-mode inductors on the motor outputs. Place these filters near the PRO-A0xV36, not near the external connector, to reduce radiation from the PCB tracks.
- Motor outputs must be separated from any nearby track (on the same layer) by a guard ring / track / area connected to ground. It is recommended to use the same guarding precaution also for tracks on nearby layers, i.e. use intermediate guard layer(s) connected to ground. The motor outputs must be treated as first source of noise on the motherboard. Second source of noise is the current flow between each PRO-A0xV36 and it's decoupling V_{MOT} capacitor.
- For best EMC performance, it is strongly recommended to provide an un-interrupted ground plane on one of the inner layers.
- All GND pins of the PRO-A0xV36 are galvanically connected together on-board the PRO-A0xV36. If the motherboard provides an uninterrupted ground plane, it is recommended to connect all GND pins to the ground plane, and use the ground plane to distribute GND wherever needed. If the motherboard does not provide an uninterrupted ground plane, it is best to use each GND pin for it's intended purpose, as described in par. 3.4.3. This will create local "star point" ground connection on-board each PRO-A0xV36. For a multi-axis motherboard with one common power supply for all motors, each motor power supply return track shall be routed separately for each PRO-A0xV36, and star-point connected at the power supply terminal.
- The following signal pairs must be routed differentially, i.e. using parallel tracks with minimal loop area: A+/Sin+ , A-/Sin- ; B+/Cos+ , B-/Cos- ; Z+ , Z- ; CAN-Hi , CAN-Lo.
- CAN-Bus tracks must be routed with a bus topology, without branches / bifurcations, in a daisy-chain fashion. The bus ends must be at the termination resistor(s) and/or external connectors.
- When using +5V_{OUT} as supply for external devices (like encoders, Hall sensors, etc.) provide extra filtering and protection: use series resettable (PTC) fuses to add short-circuit protection; use transient absorbers to protect against ESD and over-voltage; add high-frequency filtering to protect against external noise injected on +5V_{OUT}.
- The outer box / case / cabinet must be connected to the motherboard ground either galvanically (directly) or through high-frequency decoupling capacitors, rated at an appropriate voltage.



CAUTION !

WHEN PRO-A0xV36 IS SET IN MPLCAN MODE, IT STARTS TO EXECUTE AUTOMATICALLY AT POWER ON THE MPL APPLICATION FROM ITS EEPROM. ADD ON THE MOTHERBOARD THE POSSIBILITY TO DISABLE THIS FEATURE AS SHOWN PAR. 0. THIS MIGHT BE NEEDED DURING DEVELOPEMNT PHASE IN

CASE THE EEPROM CONTENTS IS ACCIDENTALLY CORRUPTED.



CAUTION!

THE PRO-A0xV36 IS AN ELECTROSTATICALLY SENSITIVE DEVICE, WHICH WILL BE DAMAGED BY INCORRECT HANDLING. THEREFORE THE DRIVE SHALL BE REMOVED FROM ITS ORIGINAL PACKAGE ONLY IN AN ESD PROTECTED ENVIRONMENT !

3.3. Mating Connector and Retainer

Connector	Description	Manufacturer	Part Number
J1	PCI Express (PCIe) 4x vertical card edge connector, 2x32 contacts	Tyco	2-1775801-4
		FCI	10018784-11101TLF
	PCI Express (PCIe) 4x horizontal card edge connector, 2x32 contacts	Tyco	1761465-2
		Samtec	PCIE-064-02-F-D-RA
-	Retainer for vertical PCIe card	FCI	10035591-001LF
		FCI	10042618-002LF

3.4. Connector and Connection Diagrams

3.4.1. Connector Layout

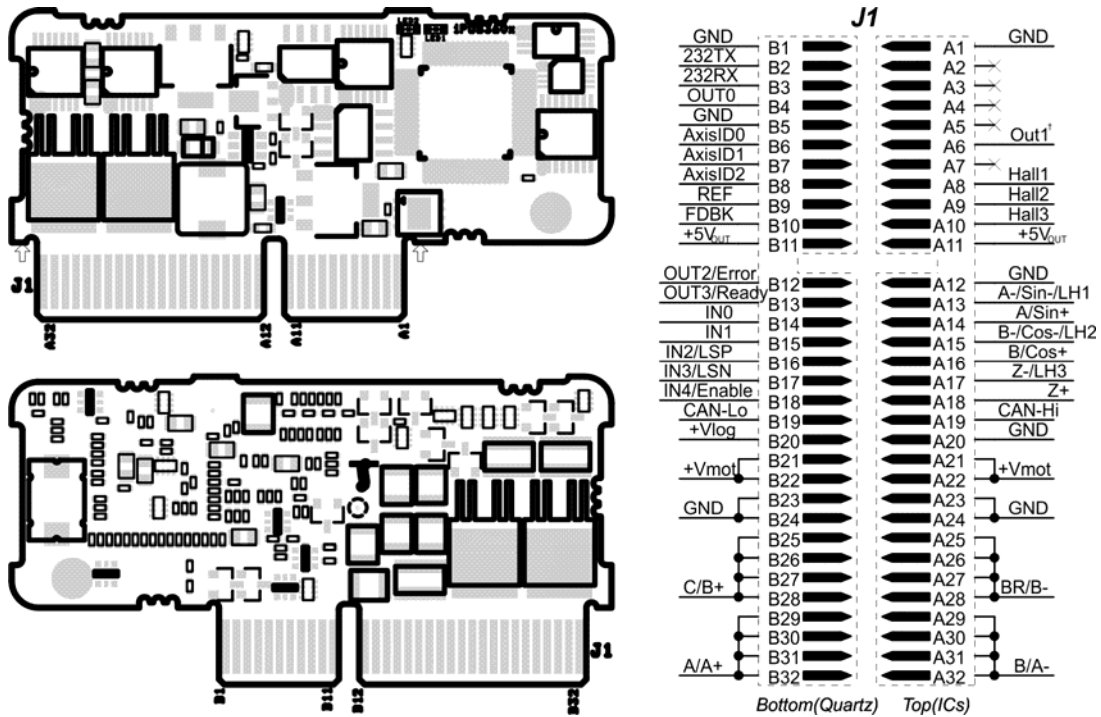


Figure 3.7. PRO-A0xV36 drive connector J1

3.4.2. Identification Labels

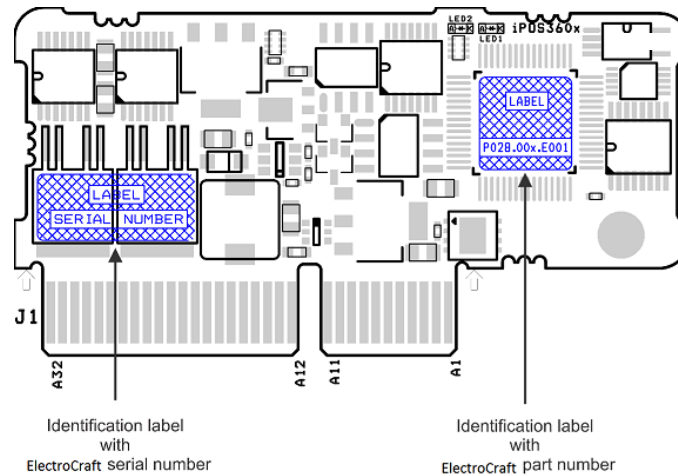


Figure 3.8. PRO-A0xV36-PE-CAN Identification Labels

3.4.3. J1 Connector pinout (A Side)

Connector description			
Pin	Name	Type	Description
A1	GND	-	Return ground for extension bus
A2	reserved	I/O	Reserved, do not connect
A3	reserved	O	Reserved, do not connect
A4	reserved	I/O	Reserved, do not connect
A5	reserved	I/O	Reserved, do not connect
A6	OUT1 [†]	O	5-36V 0.5A general-purpose digital output, NPN open-collector/TTL pull-up
A7	reserved	I/O	Reserved, do not connect
A8	Hall 1	I	Digital input Hall 1 sensor
A9	Hall 2	I	Digital input Hall 2 sensor
A10	Hall 3	I	Digital input Hall 3 sensor
A11	+5V _{OUT}	O	5V supply for sensors - internally generated
A12	GND	-	Return ground for sensors supply
A13	A- / Sin- / LH1	I	Incr. encoder A-differential input, or analog encoder Sin-differential input, or linear Hall 1 input
A14	A / A+ / Sin+	I	Incr. encoder A single-ended, or A+ differential input, or analog encoder Sin+ differential input

Pin	Name	Type	Description
A15	B- / Cos- / LH2	I	Incr. encoder B-differential input, or analog encoder Cos-differential input, or linear Hall 2 input
A16	B / B+ / Cos+	I	Incr. encoder B single-ended, or B+ differential input, or analog encoder Cos+ differential input
A17	Z- / LH3	I	Incr. encoder Z-differential input, or linear Hall 3 input
A18	Z / Z+	I	Incr. encoder Z (index) single-ended, or Z+ differential input
A19	Can-Hi	I/O	CAN-Bus positive line (dominant high)
A20	GND	-	Negative return (ground) of the logic supply
A21, A22	+V _{MOT}	I	Positive terminal of the motor supply: 9 to 36V _{DC}
A23, A24	GND	-	Negative return (ground) of the motor supply
A25-A28	BR / B-	O	Brake resistor / Phase B- for step motors
A29-A32	B / A-	O	Phase B for 3-ph motors, A- for 2-ph steppers, Motor- for DC brush motors

3.4.4. J1 Connector pinout (B Side)

Connector description			
Pin	Name	Type	Description
B1	GND	-	Return ground for CAN-Bus and RS232 pins
B2	232TX	O	RS-232 Data Transmission
B3	232RX	I	RS-232 Data Reception
B4	OUT0	O	5-36V 0.5A general-purpose digital output, NPN open-collector/TTL pull-up
B5	GND	-	Return ground for I/O pins
B6	AxisID 0	I	Axis ID/Address input. 7 states: floating, strap to GND or +5V, resistor 4K7 or 22K to GND or +5V
B7	AxisID 1	I	Axis ID/Address inputs. 7 states: floating, strap to GND or +5V, resistor 4K7 or 22K to GND or +5V
B8	AxisID 2	I	Axis ID/Address input. 7 states: floating, strap to GND or +5V, resistor 4K7 or 22K to GND or +5V
B9	REF	I	Analog input, 12-bit, 0-5V. Used to read an analog position, speed or torque reference, or used as general purpose analog input
B10	FDBK	I	Analog input, 12-bit, 0-5V. Used to read an analog position or speed feedback (as tacho), or used as general purpose analog input

Pin	Name	Type	Description
B11	+5VOUT	O	5V output supply for I/O usage
B12	OUT2/ Error	O	5-36V 0.5A drive error output, active low, NPN open-collector/TTL pull-up. Also drives the red LED.
B13	OUT3/ Ready	O	5-36V 0.5A drive ready output, active low, NPN open-collector/TTL pull-up. Also drives the green LED
B14	IN0	I	5-36V digital input General-purpose
B15	IN1	I	5-36V digital input
B16	IN2/ LSP	I	5-36V digital input Positive limit switch input
B17	IN3/ LSN	I	5-36V digital input Negative limit switch input
B18	IN4/ Enable	I	5-36V digital input Drive enable input
B19	Can-Lo	I/O	CAN-Bus negative line (dominant low)
B20	+VLOG	I	Positive terminal of the logic supply: 7 to 36VDC
B21, B22	+VMOT	I	Positive terminal of the motor supply: 9 to 36VDC
B23, B24	GND	-	Negative return (ground) of the motor supply
B25- B28	C / B+	O	Phase C for 3-ph motors, B+ for 2-ph steppers
B29- B32	A / A+	O	Phase A for 3-ph motors, A+ for 2-ph steppers, Motor+ for DC brush motors

3.4.5. Operation Mode and Axis ID Selection

3.4.5.1 Selection Levels on Axis ID Inputs

On PRO-A0xV36 the selection of the operation mode: CANopen or MPLCAN as also of the axis ID number is done by setting different voltage levels on the inputs AxisID 0 (pin B6), AxisID 1 (pin B7) and AxisID 2 (pin B8). Each input can be set to one of the following 7 levels:

Level	Connection needed
L0	Connect input directly to ground (for example pin B5)
L1	Connect input through a 4.7KΩ resistor to ground
L2	Connected input through a 22KΩ resistor to ground
L3	Nothing connected – leave input open
L4	Connect input through a 22KΩ resistor to +5Vdc (for example pin B11)
L5	Connect input through a 4.7Kohm resistor to +5Vdc
L6	Connect input directly to +5V

The operation mode selection is done via AxisID 2:

- CANopen mode, if the input levels are: L0, L1 or L2
- MPLCAN mode, if the input levels are L3, L4, L5, L6

Figure 3.9 shows how to set the 7 levels on the AxisID 0 input and the resulting axis ID values when AxisID 2 input level is set for **CANopen** operation. **Table 3.1** shows how to set all possible values for axis ID in this mode of operation.

Remarks:

1. *AxisID value is computed with formula: $49 \times \text{AxisID2} + 7 \times \text{AxisID1} + \text{AxisID0}$, where each AxisID can have one of the integer values: 0 to 6 (0 for L0, 1 for L1, 2 for L2, etc.)*
2. *If the resulting AxisID value is 0 (all 3 inputs are connected to GND), the axis ID will be set to 127. If the resulting AxisID is greater than 127, the axis ID will be set to 255.*
3. *If the AxisID is set to 255, the drive remains “non-configured” waiting for a CANopen master to configure it using CiA-305 protocol. A “non-configured” drive answers only to CiA-305 commands. All other CANopen commands are ignored and transmission of all other messages (including boot-up) is disabled.*

Figure 3.10 shows how to set the 7 levels on the AxisID 0 input and the resulting axis ID values when AxisID 2 input level is set for **MPLCAN** operation. **Table 3.2** shows how to set all possible values for axis ID in this mode of operation.

Remarks:

1. *AxisID is computed with formula: $49 \times (\text{AxisID2} - 3) + 7 \times \text{AxisID1} + \text{AxisID0}$, where each AxisID can have one of the integer values: 0 to 6 (0 for L0, 1 for L1, 2 for L2, etc.)*
2. *If the resulting AxisID value is 0, the axis ID will be set to 255*

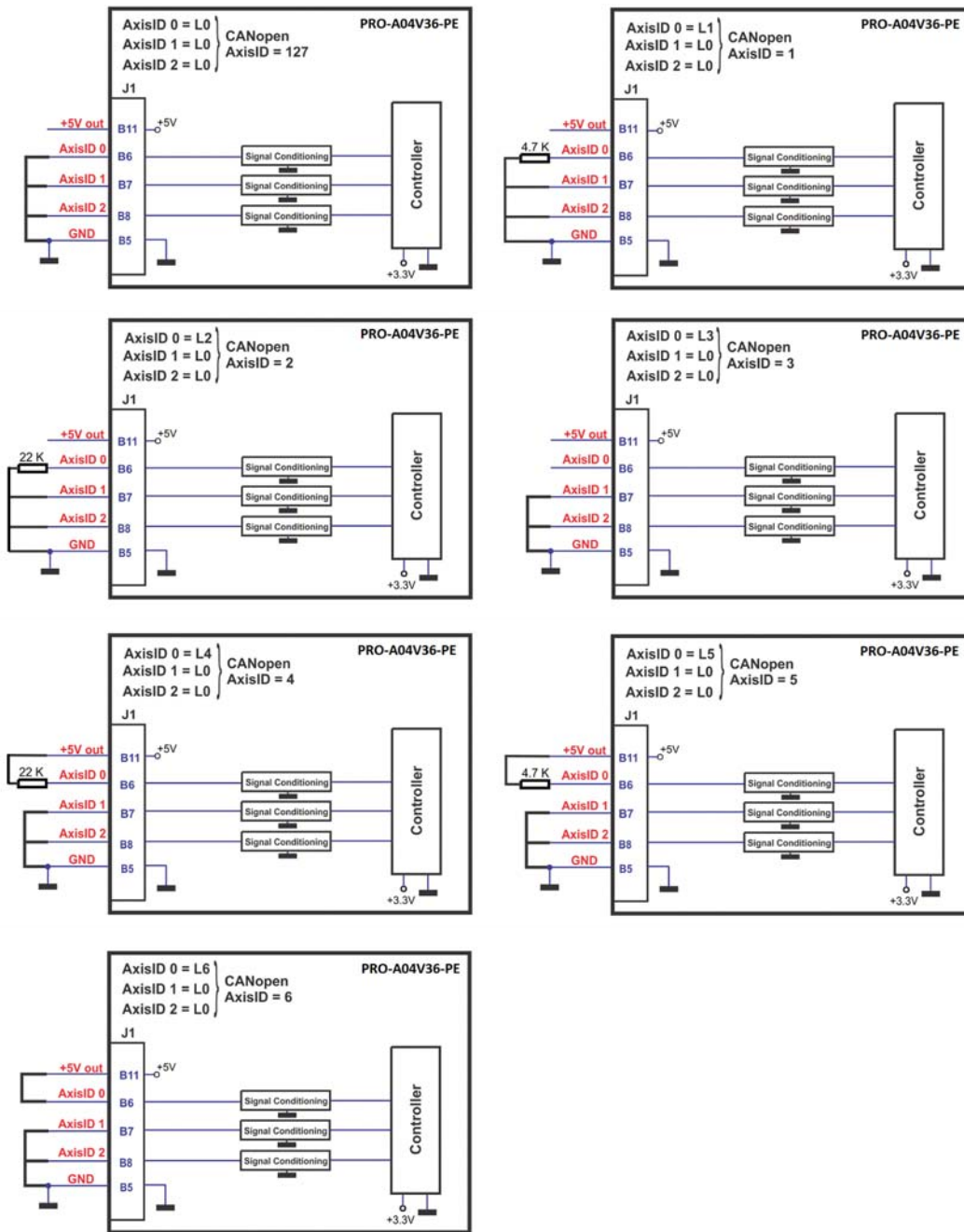


Figure 3.9 Axis ID Setting Examples. CANopen mode

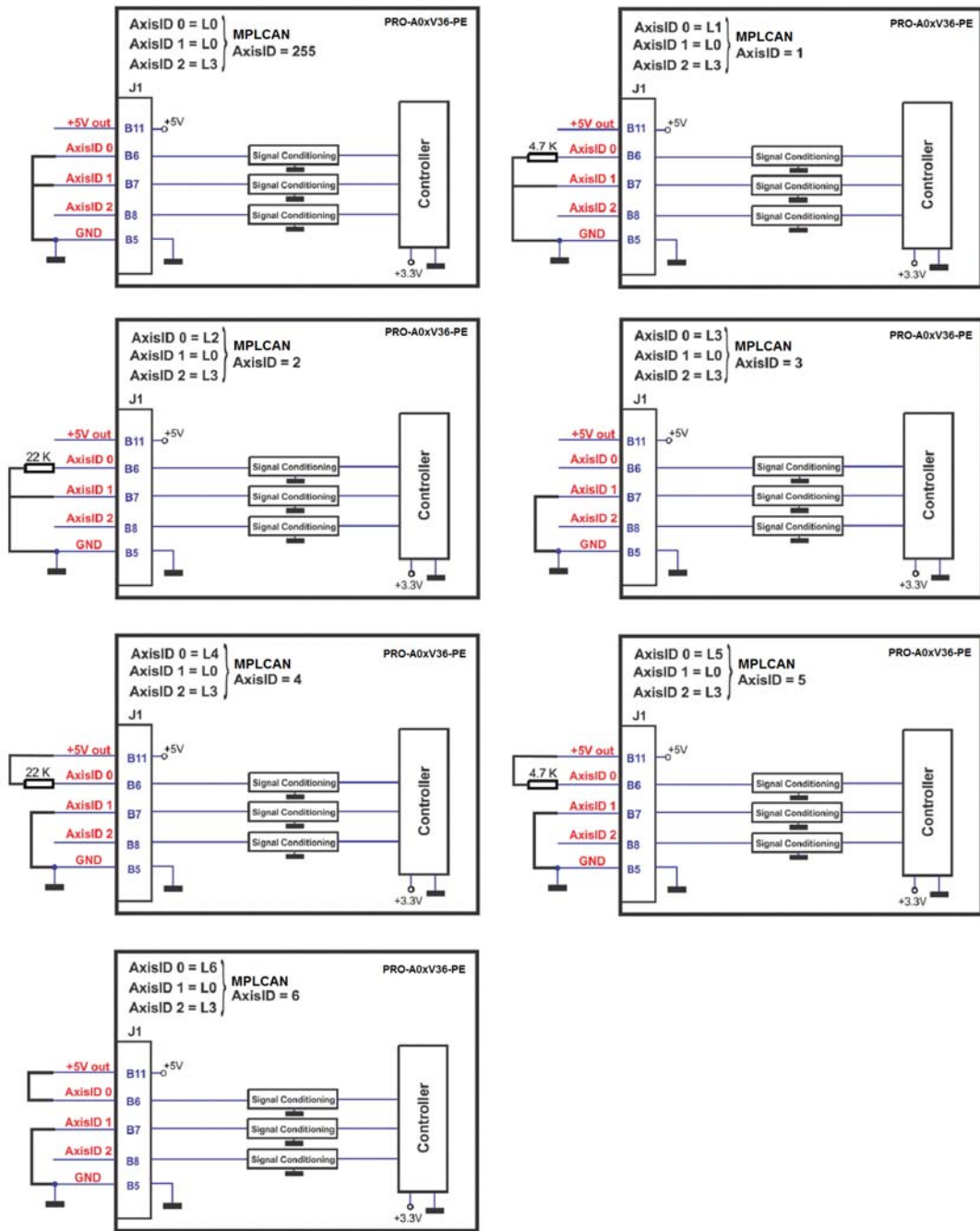


Figure 3.10 Axis ID Setting Examples. MPLCAN mode

3.4.5.2 Axis ID Settings

Table 3.1. Axis ID setting in CANopen mode

Axis ID 2	Axis ID 1	Axis ID 0	ID CANopen
L0	L0	L0	127
L0	L0	L1	1
L0	L0	L2	2
L0	L0	L3	3
L0	L0	L4	4
L0	L0	L5	5
L0	L0	L6	6
L0	L1	L0	7
L0	L1	L1	8
L0	L1	L2	9
L0	L1	L3	10
L0	L1	L4	11
L0	L1	L5	12
L0	L1	L6	13
L0	L2	L0	14
L0	L2	L1	15
L0	L2	L2	16
L0	L2	L3	17
L0	L2	L4	18
L0	L2	L5	19
L0	L2	L6	20
L0	L3	L0	21
L0	L3	L1	22
L0	L3	L2	23
L0	L3	L3	24
L0	L3	L4	25
L0	L3	L5	26
L0	L3	L6	27
L0	L4	L0	28
L0	L4	L1	29
L0	L4	L2	30
L0	L4	L3	31
L0	L4	L4	32
L0	L4	L5	33
L0	L4	L6	34
L0	L5	L0	35

Axis ID 2	Axis ID 1	Axis ID 0	ID CANopen
L0	L5	L1	36
L0	L5	L2	37
L0	L5	L3	38
L0	L5	L4	39
L0	L5	L5	40
L0	L5	L6	41
L0	L6	L0	42
L0	L6	L1	43
L0	L6	L2	44
L0	L6	L3	45
L0	L6	L4	46
L0	L6	L5	47
L0	L6	L6	48
L1	L0	L0	49
L1	L0	L1	50
L1	L0	L2	51
L1	L0	L3	52
L1	L0	L4	53
L1	L0	L5	54
L1	L0	L6	55
L1	L1	L0	56
L1	L1	L1	57
L1	L1	L2	58
L1	L1	L3	59
L1	L1	L4	60
L1	L1	L5	61
L1	L1	L6	62
L1	L2	L0	63
L1	L2	L1	64
L1	L2	L2	65
L1	L2	L3	66
L1	L2	L4	67
L1	L2	L5	68
L1	L2	L6	69
L1	L3	L0	70
L1	L3	L1	71

Axis ID 2	Axis ID 1	Axis ID 0	ID CANopen
L1	L3	L2	72
L1	L3	L3	73
L1	L3	L4	74
L1	L3	L5	75
L1	L3	L6	76
L1	L4	L0	77
L1	L4	L1	78
L1	L4	L2	79
L1	L4	L3	80
L1	L4	L4	81
L1	L4	L5	82
L1	L4	L6	83
L1	L5	L0	84
L1	L5	L1	85
L1	L5	L2	86
L1	L5	L3	87
L1	L5	L4	88
L1	L5	L5	89
L1	L5	L6	90
L1	L6	L0	91
L1	L6	L1	92
L1	L6	L2	93
L1	L6	L3	94
L1	L6	L4	95
L1	L6	L5	96
L1	L6	L6	97
L2	L0	L0	98
L2	L0	L1	99
L2	L0	L2	100
L2	L0	L3	101
L2	L0	L4	102
L2	L0	L5	103
L2	L0	L6	104
L2	L1	L0	105
L2	L1	L1	106
L2	L1	L2	107
L2	L1	L3	108
L2	L1	L4	109

Axis ID 2	Axis ID 1	Axis ID 0	ID CANopen
L2	L1	L5	110
L2	L1	L6	111
L2	L2	L0	112
L2	L2	L1	113
L2	L2	L2	114
L2	L2	L3	115
L2	L2	L4	116
L2	L2	L5	117
L2	L2	L6	118
L2	L3	L0	119
L2	L3	L1	120
L2	L3	L2	121
L2	L3	L3	122
L2	L3	L4	123
L2	L3	L5	124
L2	L3	L6	125
L2	L4	L0	126
L2	L4	L1	255
L2	L4	L2	255
L2	L4	L3	255
L2	L4	L4	255
L2	L4	L5	255
L2	L4	L6	255
L2	L5	L0	255
L2	L5	L1	255
L2	L5	L2	255
L2	L5	L3	255
L2	L5	L4	255
L2	L5	L5	255
L2	L5	L6	255
L2	L6	L0	255
L2	L6	L1	255
L2	L6	L2	255
L2	L6	L3	255
L2	L6	L4	255
L2	L6	L5	255
L2	L6	L6	255

Table 3.2. Axis ID setting in MPLCAN mode

Axis ID 2	Axis ID 1	Axis ID 0	ID MPLCAN
L3	L0	L0	255
L3	L0	L1	1
L3	L0	L2	2
L3	L0	L3	3
L3	L0	L4	4
L3	L0	L5	5
L3	L0	L6	6
L3	L1	L0	7
L3	L1	L1	8
L3	L1	L2	9
L3	L1	L3	10
L3	L1	L4	11
L3	L1	L5	12
L3	L1	L6	13
L3	L2	L0	14
L3	L2	L1	15
L3	L2	L2	16
L3	L2	L3	17
L3	L2	L4	18
L3	L2	L5	19
L3	L2	L6	20
L3	L3	L0	21
L3	L3	L1	22
L3	L3	L2	23
L3	L3	L3	24
L3	L3	L4	25
L3	L3	L5	26
L3	L3	L6	27
L3	L4	L0	28
L3	L4	L1	29
L3	L4	L2	30
L3	L4	L3	31
L3	L4	L4	32
L3	L4	L5	33
L3	L4	L6	34
L3	L5	L0	35
L3	L5	L1	36

Axis ID 2	Axis ID 1	Axis ID 0	ID MPLCAN
L3	L5	L2	37
L3	L5	L3	38
L3	L5	L4	39
L3	L5	L5	40
L3	L5	L6	41
L3	L6	L0	42
L3	L6	L1	43
L3	L6	L2	44
L3	L6	L3	45
L3	L6	L4	46
L3	L6	L5	47
L3	L6	L6	48
L4	L0	L0	49
L4	L0	L1	50
L4	L0	L2	51
L4	L0	L3	52
L4	L0	L4	53
L4	L0	L5	54
L4	L0	L6	55
L4	L1	L0	56
L4	L1	L1	57
L4	L1	L2	58
L4	L1	L3	59
L4	L1	L4	60
L4	L1	L5	61
L4	L1	L6	62
L4	L2	L0	63
L4	L2	L1	64
L4	L2	L2	65
L4	L2	L3	66
L4	L2	L4	67
L4	L2	L5	68
L4	L2	L6	69
L4	L3	L0	70
L4	L3	L1	71
L4	L3	L2	72
L4	L3	L3	73

Axis ID 2	Axis ID 1	Axis ID 0	ID MPLCAN
L4	L3	L4	74
L4	L3	L5	75
L4	L3	L6	76
L4	L4	L0	77
L4	L4	L1	78
L4	L4	L2	79
L4	L4	L3	80
L4	L4	L4	81
L4	L4	L5	82
L4	L4	L6	83
L4	L5	L0	84
L4	L5	L1	85
L4	L5	L2	86
L4	L5	L3	87
L4	L5	L4	88
L4	L5	L5	89
L4	L5	L6	90
L4	L6	L0	91
L4	L6	L1	92
L4	L6	L2	93
L4	L6	L3	94
L4	L6	L4	95
L4	L6	L5	96
L4	L6	L6	97
L5	L0	L0	98
L5	L0	L1	99
L5	L0	L2	100
L5	L0	L3	101
L5	L0	L4	102
L5	L0	L5	103
L5	L0	L6	104
L5	L1	L0	105
L5	L1	L1	106
L5	L1	L2	107
L5	L1	L3	108
L5	L1	L4	109
L5	L1	L5	110
L5	L1	L6	111
L5	L2	L0	112
L5	L2	L1	113

Axis ID 2	Axis ID 1	Axis ID 0	ID MPLCAN
L5	L2	L2	114
L5	L2	L3	115
L5	L2	L4	116
L5	L2	L5	117
L5	L2	L6	118
L5	L3	L0	119
L5	L3	L1	120
L5	L3	L2	121
L5	L3	L3	122
L5	L3	L4	123
L5	L3	L5	124
L5	L3	L6	125
L5	L4	L0	126
L5	L4	L1	127
L5	L4	L2	128
L5	L4	L3	129
L5	L4	L4	130
L5	L4	L5	131
L5	L4	L6	132
L5	L5	L0	133
L5	L5	L1	134
L5	L5	L2	135
L5	L5	L3	136
L5	L5	L4	137
L5	L5	L5	138
L5	L5	L6	139
L5	L6	L0	140
L5	L6	L1	141
L5	L6	L2	142
L5	L6	L3	143
L5	L6	L4	144
L5	L6	L5	145
L5	L6	L6	146
L6	L0	L0	147
L6	L0	L1	148
L6	L0	L2	149
L6	L0	L3	150
L6	L0	L4	151
L6	L0	L5	152

Axis ID 2	Axis ID 1	Axis ID 0	ID MPLCAN
L6	L0	L6	153
L6	L1	L0	154
L6	L1	L1	155
L6	L1	L2	156
L6	L1	L3	157
L6	L1	L4	158
L6	L1	L5	159
L6	L1	L6	160
L6	L2	L0	161
L6	L2	L1	162
L6	L2	L2	163
L6	L2	L3	164
L6	L2	L4	165
L6	L2	L5	166
L6	L2	L6	167
L6	L3	L0	168
L6	L3	L1	169
L6	L3	L2	170
L6	L3	L3	171
L6	L3	L4	172
L6	L3	L5	173
L6	L3	L6	174

Axis ID 2	Axis ID 1	Axis ID 0	ID MPLCAN
L6	L4	L0	175
L6	L4	L1	176
L6	L4	L2	177
L6	L4	L3	178
L6	L4	L4	179
L6	L4	L5	180
L6	L4	L6	181
L6	L5	L0	182
L6	L5	L1	183
L6	L5	L2	184
L6	L5	L3	185
L6	L5	L4	186
L6	L5	L5	187
L6	L5	L6	188
L6	L6	L0	189
L6	L6	L1	190
L6	L6	L2	191
L6	L6	L3	192
L6	L6	L4	193
L6	L6	L5	194
L6	L6	L6	195

3.4.6. 24V Digital I/O Connection

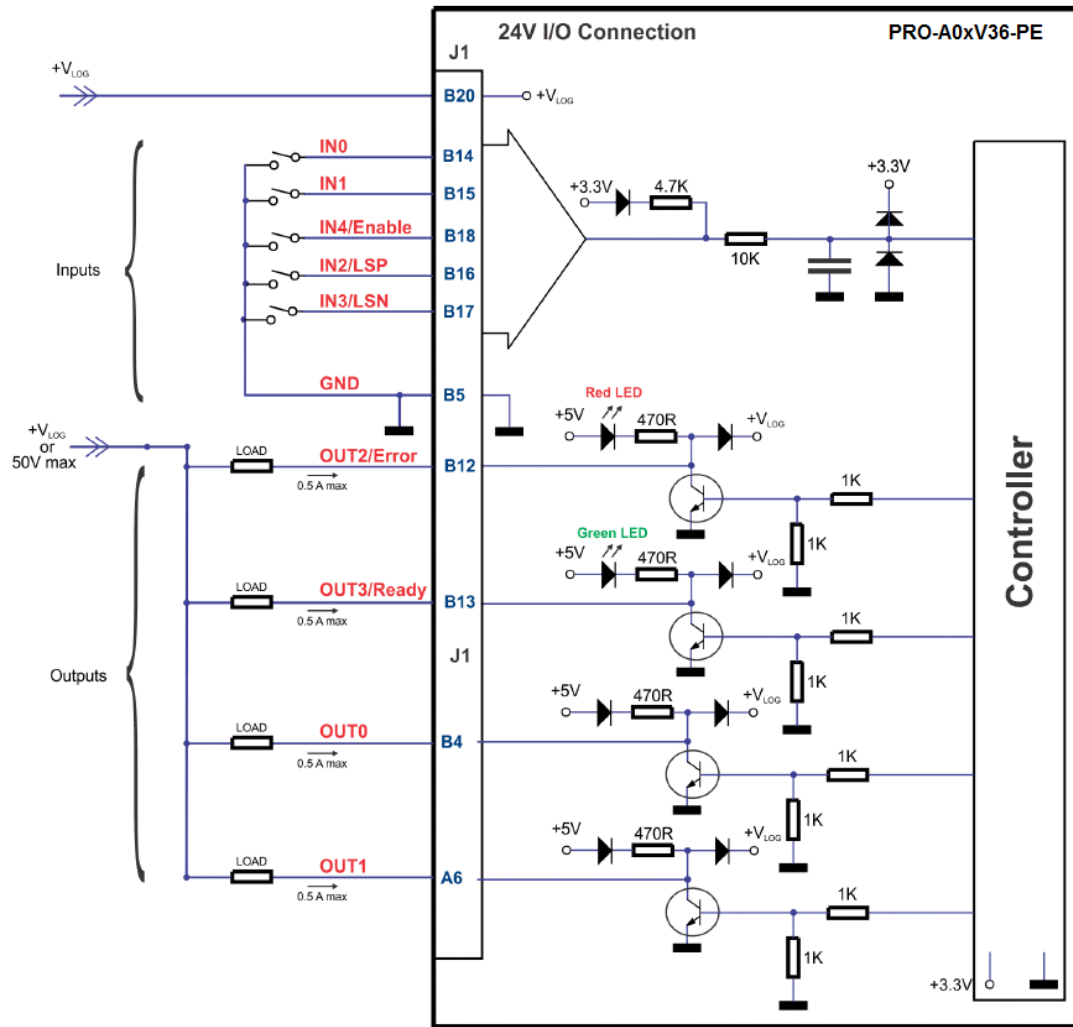


Figure 3.11. 24V Digital I/O connection

Remarks:

1. Connect the external load to the external supply $+V_{LOG}$ for using the 24V outputs
2. The maximum sink current is 0.5A continuous, up to 1A pulsed for less than 5 seconds
3. The inputs are compatible with NPN type outputs (input must be pulled to GND to change it's default state)

- The outputs are compatible with NPN type inputs (load is tied to common $+V_{LOG}$, output pulls to GND when active and is floating when inactive)

3.4.7. 5V Digital I/O Connection

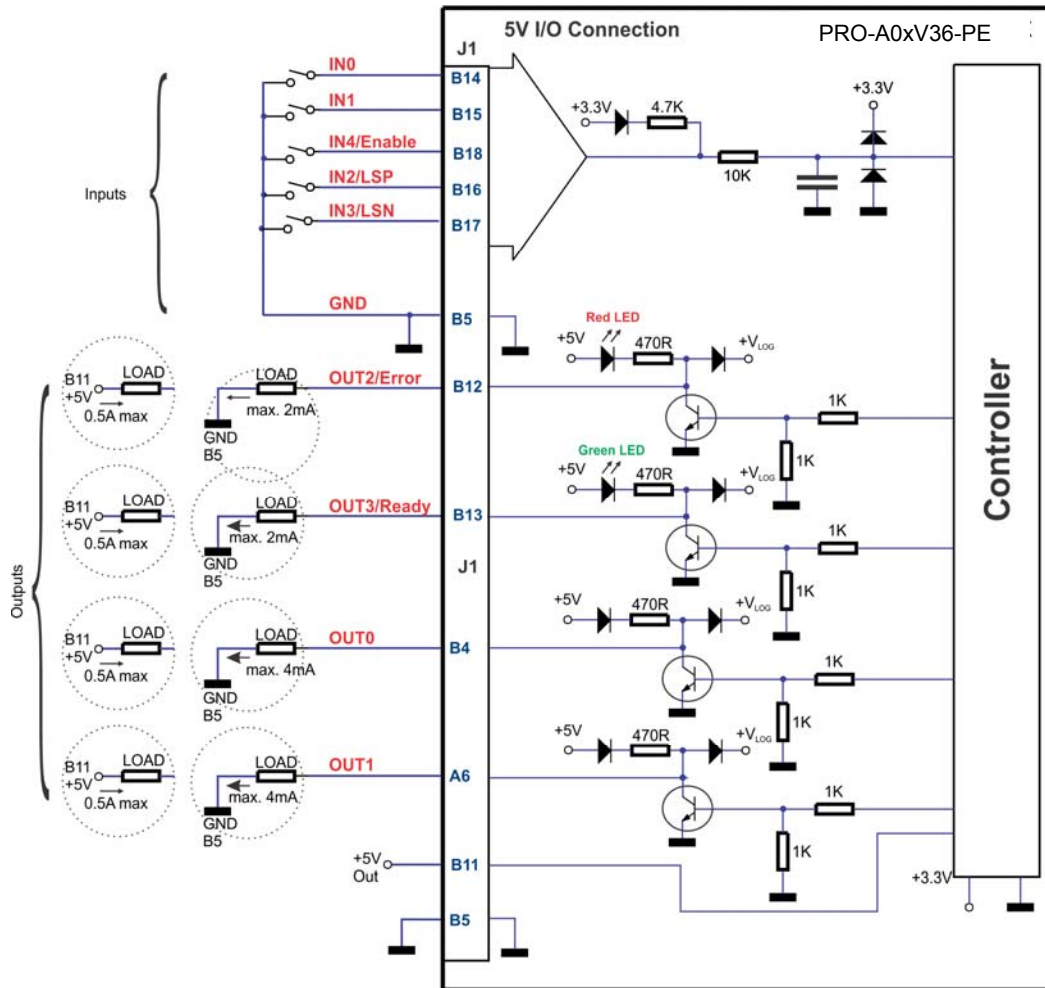


Figure 3.12. 5V Digital I/O connection

Remarks:

- The inputs are compatible with TTL(5V), LVTTTL(3.3V), CMOS and open collector outputs
- The outputs are compatible with TTL (5V) inputs
- The output loads can be individually and independently connected to +5V or to GND.

3.4.8. Analog Inputs Connection

3.4.8.1 0-5V Input Range

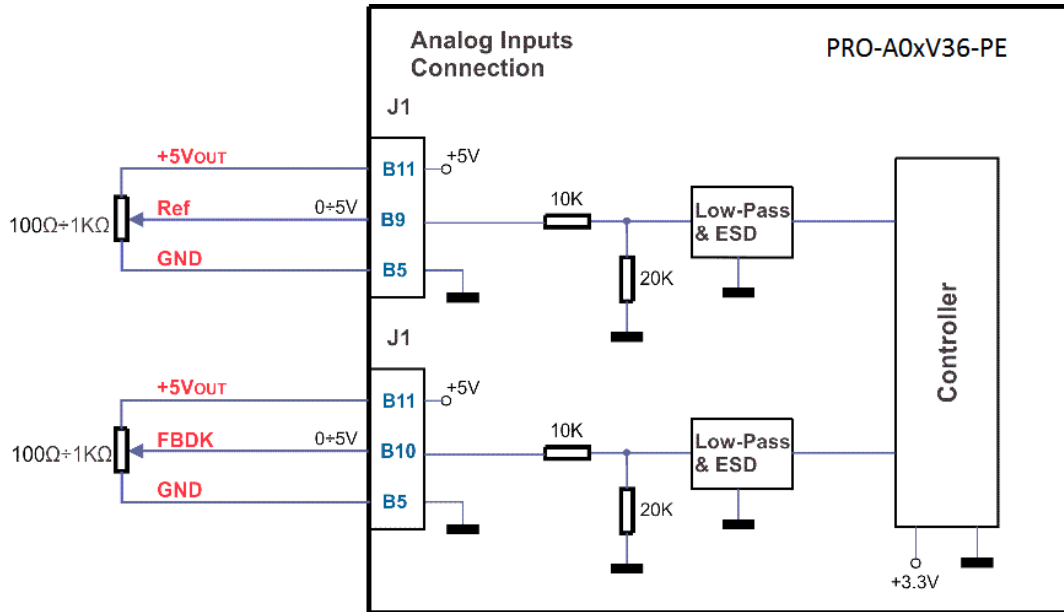


Figure 3.13. Analog inputs connection

Remark: Default input range for analog inputs is 0÷5 V for REF and FBDK. For a +/-10 V range, see Figure 3.14.

3.4.8.2 +/- 10V to 0-5V Input Range Adapter

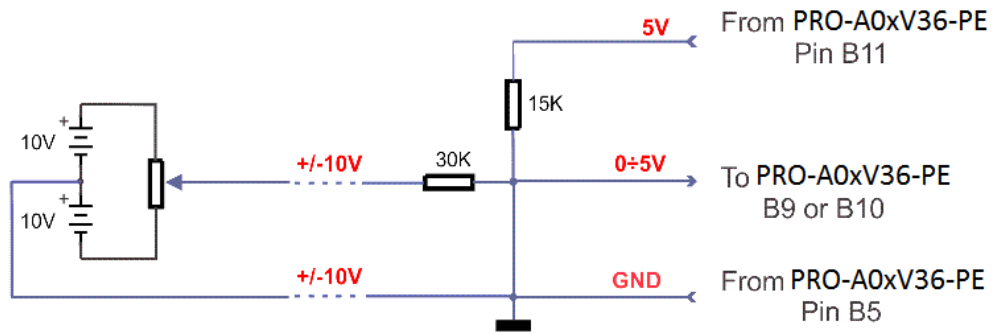


Figure 3.14. +/-10V to 0-5V adapter

3.4.8.3 Recommendation for wiring

- If the analog signal source is single-ended, use a 2-wire twisted shielded cable as follows: 1st wire connects the live signal to the drive input; 2nd wire connects the source ground to the drive ground; shield will be connected to the drive ground terminal.
- If the analog signal source is differential and the signal source ground is isolated from the drive GND, use a 2-wire twisted shielded cable as follows: 1st wire connects the source plus (positive, in-phase) to the drive analog input; 2nd wire connects the source minus (negative, out-of-phase) to the drive ground (GND). Shield is connected only at the drive side, to the drive GND, and is left unconnected at the source side.
- If the analog signal source is differential and the signal source ground is common with the drive GND, use a 2-wire shielded cable as follows: 1st wire connects the source plus (positive, in-phase) to the drive analog input; 2nd wire connects the source ground to the drive ground (GND); shield is connected only at the drive side, to the drive GND, and is left unconnected at the source side. The source minus (negative, out-of-phase) output remains unconnected.

3.4.9. Motor connections

3.4.9.1 Brushless Motor connection

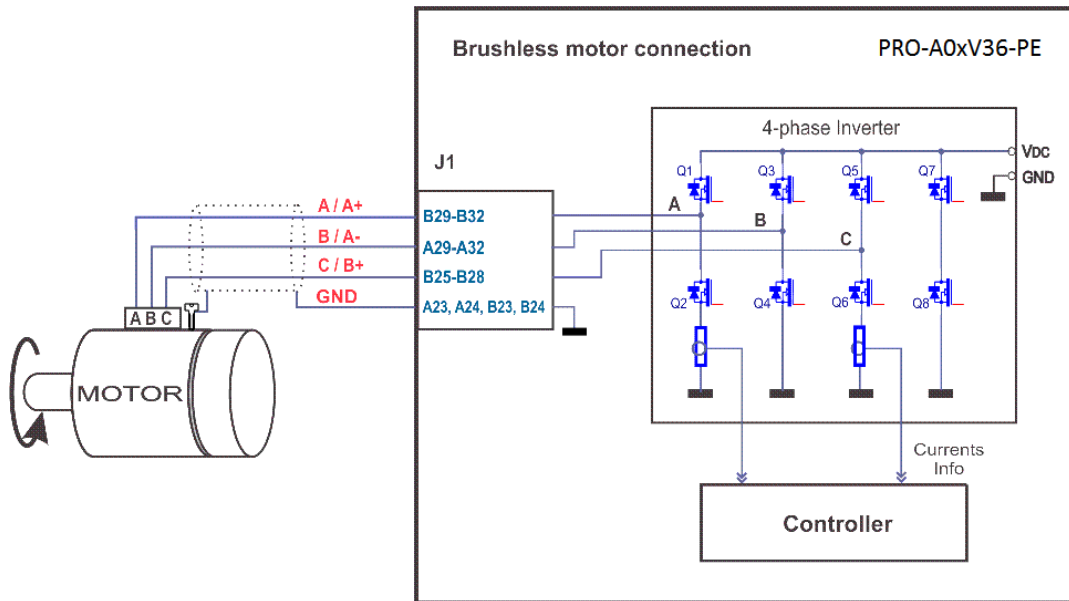


Figure 3.15. Brushless motor connection

3.4.9.2 2-phase Step Motor connection

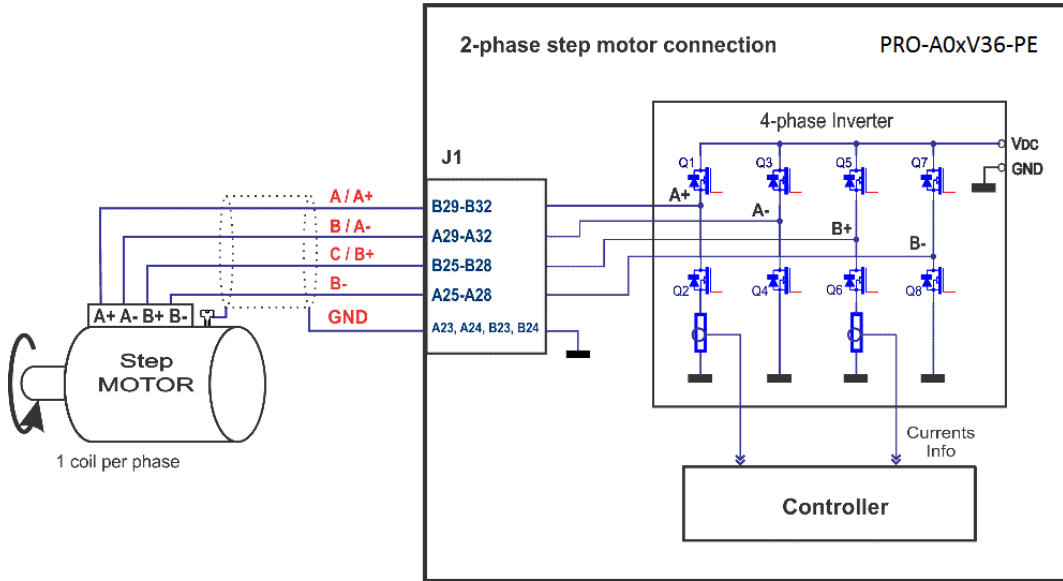


Figure 3.16. 2-phase step motor connection, one coil per phase

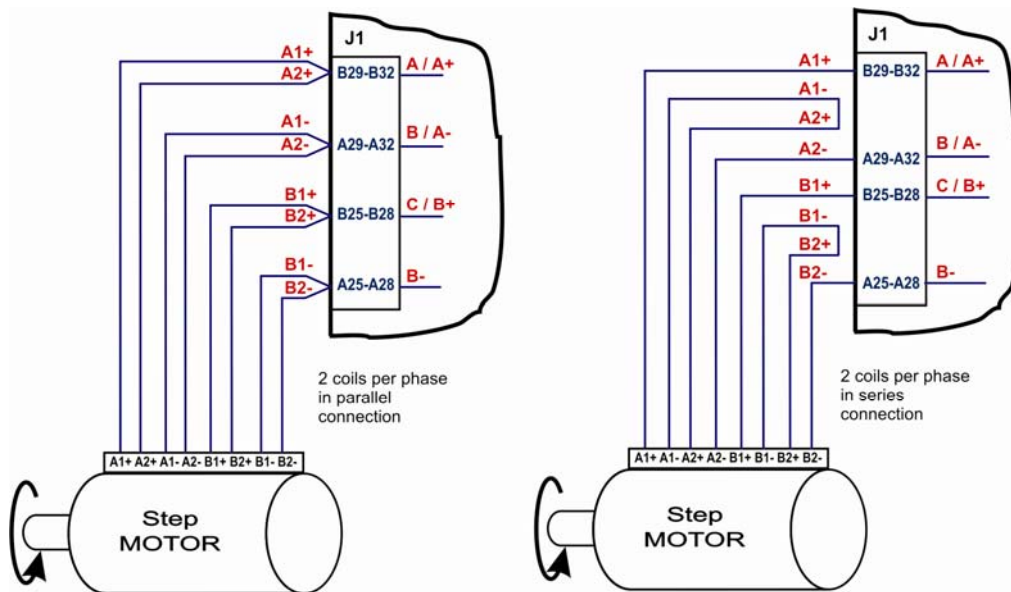


Figure 3.17. 2-phase step motor connection, two coils per phase

3.4.9.3 3-Phase Step Motor connection

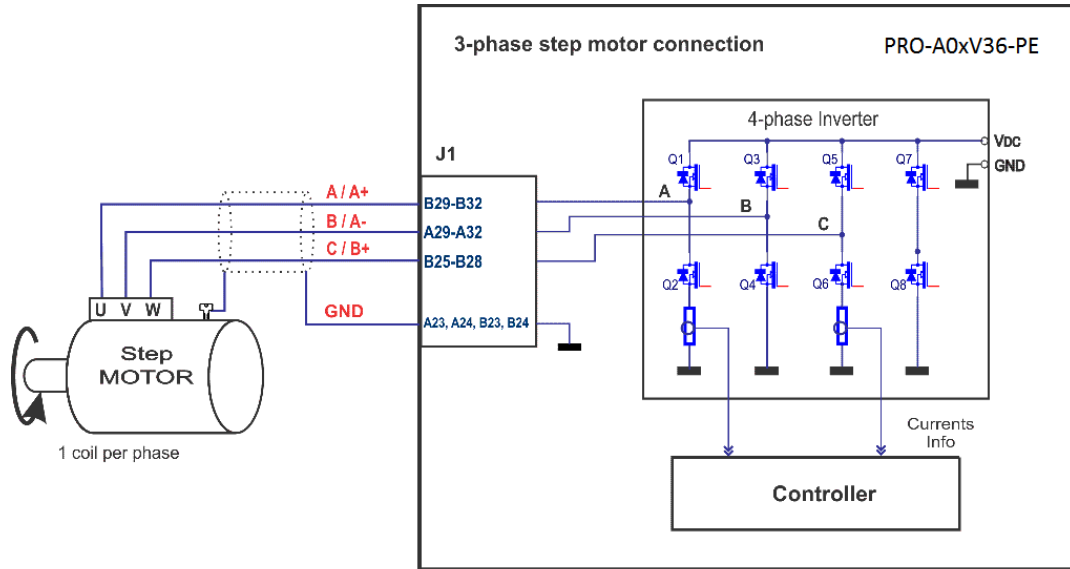


Figure 3.18. 3-phase step motor connection

3.4.9.4 DC Motor connection

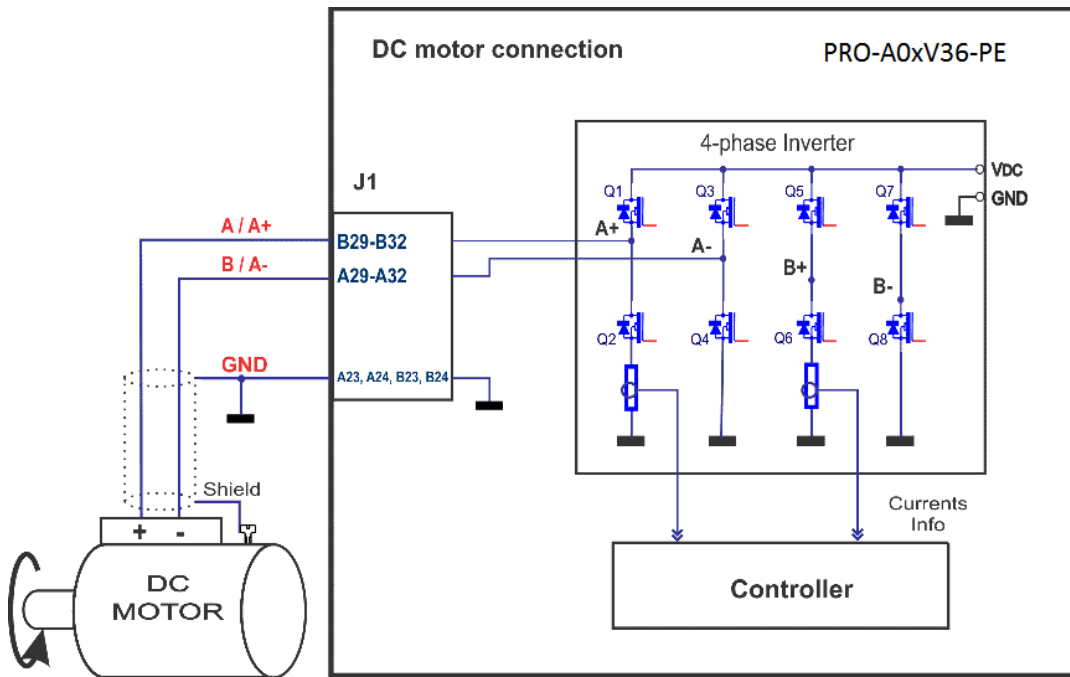


Figure 3.19. DC Motor connection

3.4.9.5 Recommendations for motor wiring

- Avoid running the motor wires in parallel with other wires for a distance longer than 2 meters. If this situation cannot be avoided, use a shielded cable for the motor wires. Connect the cable shield to the PRO-A0xV36 GND pin. Leave the other end disconnected.
- The parasitic capacitance between the motor wires must not bypass 10nF. If very long cables (tens of meters) are used, this condition may not be met. In this case, add series inductors between the PRO-A0xV36 outputs and the cable. The inductors must be magnetically shielded (toroidal, for example), and must be rated for the motor surge current. Typically the necessary values are around 100 μ H.
- A good shielding can be obtained if the motor wires are running inside a metallic cable guide.

3.4.10. Feedback connections

3.4.10.1 Single-ended Incremental Encoder Connection

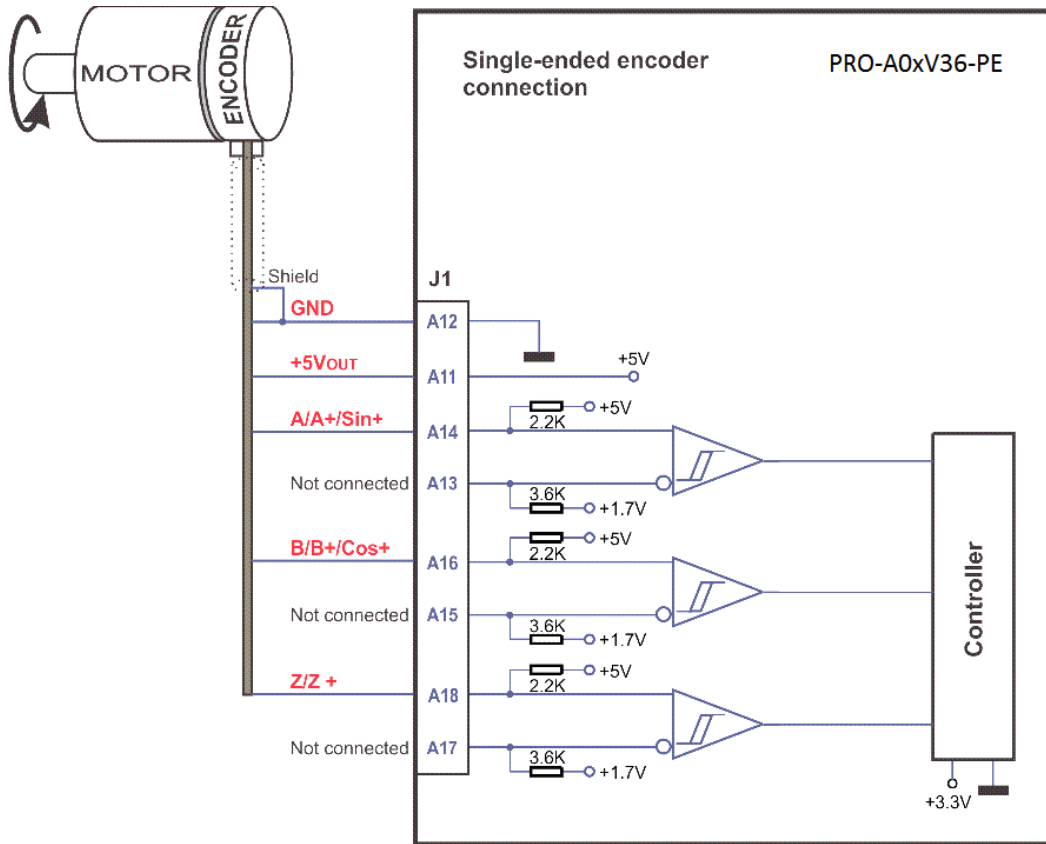


Figure 3.20. Single-ended incremental encoder connection

3.4.10.2 Differential Incremental Encoder Connection

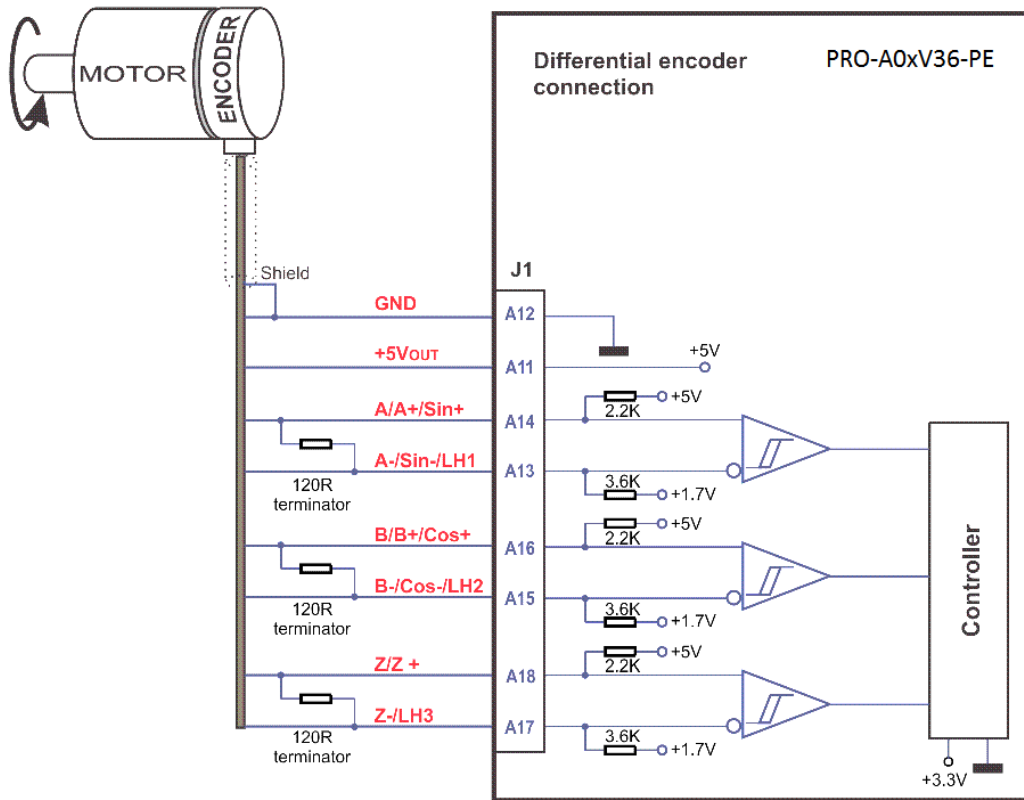


Figure 3.21. Differential incremental encoder connection

Remark: 120Ω (0.25W) terminators are required for long encoder cables, or noisy environments.

3.4.10.3 Digital Hall Connection

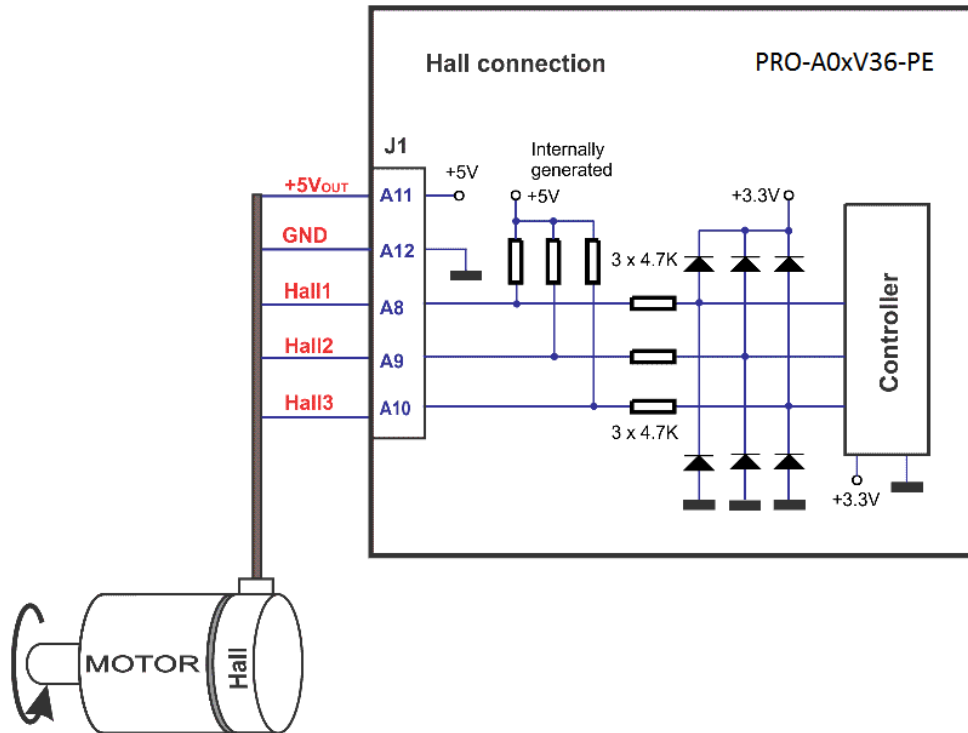


Figure 3.22. Digital Hall connection

3.4.10.4 Linear Hall Connection

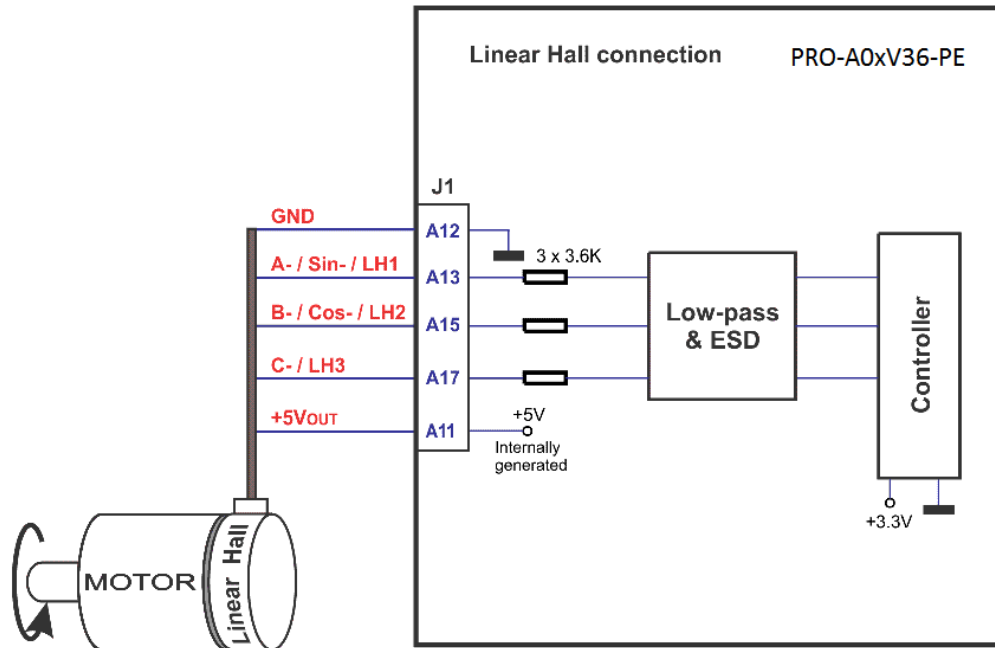


Figure 3.23. Linear Hall connection

3.4.10.5 Sine-Cosine Analog Encoder Connection

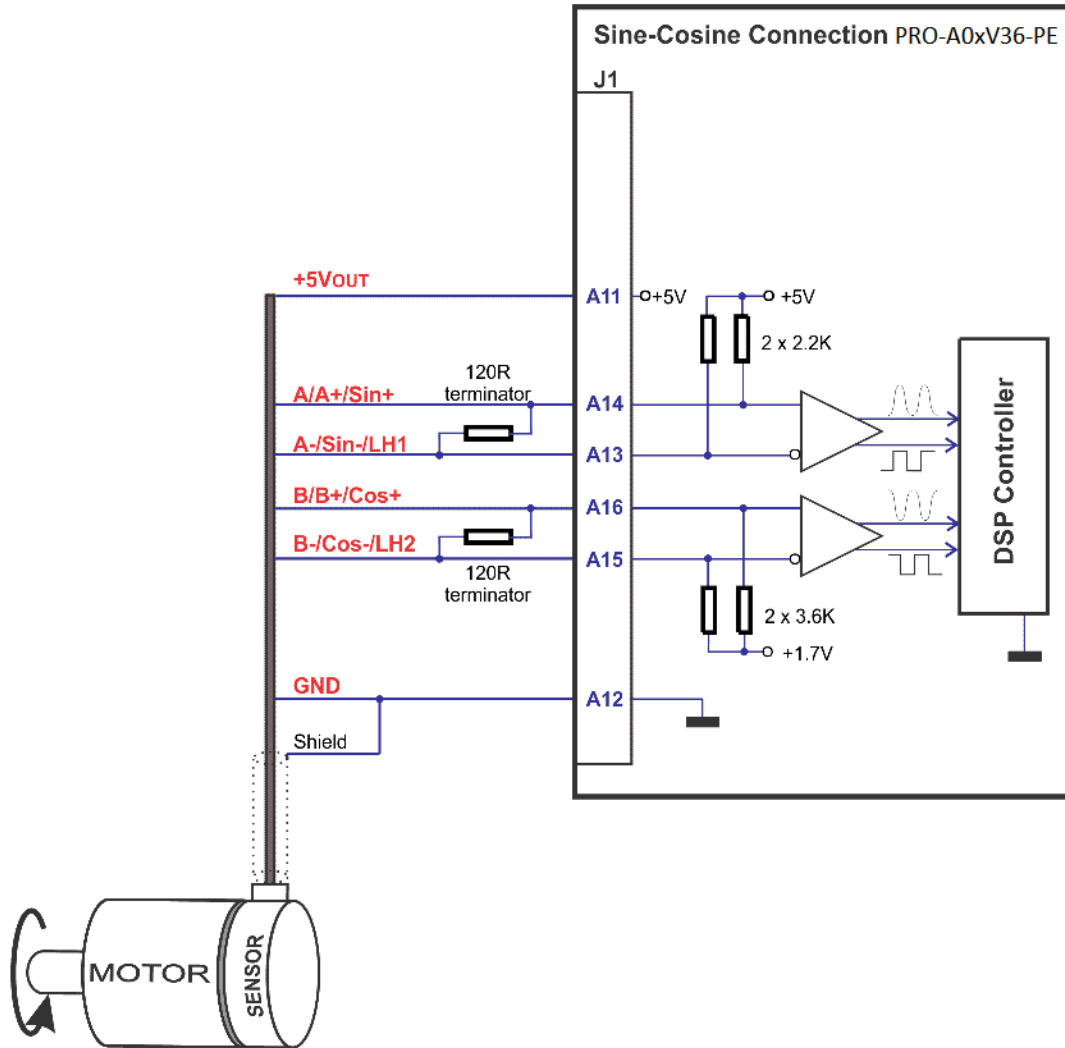


Figure 3.24. Sine-Cosine analog encoder connection

3.4.10.6 Recommendations for wiring

- a) Always connect both positive and negative signals when the position sensor is differential and provides them. Use one twisted pair for each differential group of signals as follows: A+/Sin+ with A-/Sin-/LH1, B+/Cos+ with B-/Cos-/LH2, Z+ with Z-/LH3. Use another twisted pair for the 5V supply and GND.

- b) Always use shielded cables to avoid capacitive-coupled noise when using single-ended encoders or Hall sensors with cable lengths over 1 meter. Connect the cable shield to the GND, at only one end. This point could be either the PRO-A0xV36 (using the GND pin) or the encoder / motor. Do not connect the shield at both ends.
- c) If the PRO-A0xV36 5V supply output is used by another device (like for example an encoder) and the connection cable is longer than 5 meters, add a decoupling capacitor near the supplied device, between the +5V and GND lines. The capacitor value can be 1...10 μF , rated at 6.3V.

3.4.11. Power Supply Connection

3.4.11.1 Supply Connection

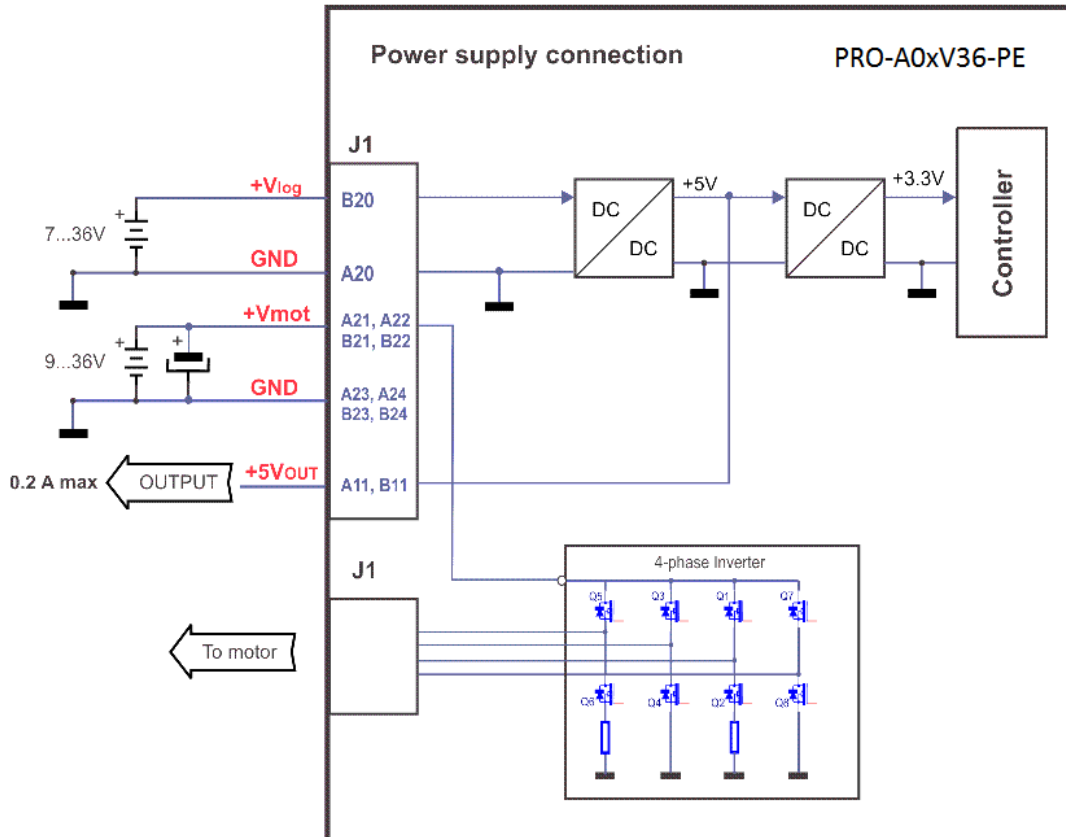


Figure 3.25. Supply connection

3.4.11.2 Recommendations for Supply Wiring

Always provide a nearby capacitor on the motor supply lines. The capacitor should be located within 10cm of the PRO-A0xV36 edge connector, max. 20cm. The minimum recommended capacitance is 470µF for PRO-A04V36, or 220µF for PRO-A02V36, always rated at the appropriate voltage.

Use short, thick wires between the PRO-A0xV36 and the motor power supply. Connect power supply wires to all the indicated pins. If the wires are longer than 2 meters, use twisted wires for the supply and ground return. For wires longer than 20 meters, add a capacitor of at least 2,200µF (rated at an appropriate voltage) right on the terminals of the PRO-A04V36, respectively 1,000µF for the PRO-A02V36.

3.4.11.3 Recommendations to limit over-voltage during braking

During abrupt motion brakes or reversals the regenerative energy is injected into the motor power supply. This may cause an increase of the motor supply voltage (depending on the power supply characteristics). If the voltage bypasses 39V, the drive over-voltage protection is triggered and the drive power stage is disabled. In order to avoid this situation you have 2 options:

Option 1. Add a capacitor on the motor supply big enough to absorb the overall energy flowing back to the supply. The capacitor must be rated to a voltage equal or bigger than the maximum expected over-voltage and can be sized with the formula:

$$C \geq \frac{2 \times E_M}{U_{MAX}^2 - U_{NOM}^2}$$

where:

U_{MAX} = 39V is the over-voltage protection limit

U_{NOM} is the nominal motor supply voltage

E_M = the overall energy flowing back to the supply in Joules. In case of a rotary motor and load, E_M can be computed with the formula:

$$E_M = \underbrace{\frac{1}{2}(J_M + J_L)\omega_M^2}_{Kinetic\ energy} + \underbrace{(m_M + m_L)g(h_{initial} - h_{final})}_{Potential\ energy} - \underbrace{3I_M^2 R_{Ph} t_d}_{Copper\ losses} - \underbrace{\frac{t_d \omega_M}{2} T_F}_{Friction\ losses}$$

where:

J_M – total rotor inertia [kgm²]

J_L – total load inertia as seen at motor shaft after transmission [kgm²]

ω_M – motor angular speed before deceleration [rad/s]

m_M – motor mass [kg] – when motor is moving in a non-horizontal plane

m_L – load mass [kg] – when load is moving in a non-horizontal plane

g – gravitational acceleration i.e. 9.8 [m/s²]

$h_{initial}$ – initial system altitude [m]

h_{final} – final system altitude [m]

I_M – motor current during deceleration [A_{RMS}/phase]

R_{Ph} – motor phase resistance [Ω]

t_d – time to decelerate [s]

T_F – total friction torque as seen at motor shaft [Nm] – includes load and transmission
 In case of a linear motor and load, the motor inertia J_M and the load inertia J_L will be replaced by the motor mass and the load mass measured in [kg], the angular speed ω_M will become linear speed measured in [m/s] and the friction torque T_F will become friction force measured in [N].

Option 2. Connect a brake resistor R_{BR} between phase BR/B- (pins A25-A28) and ground (pins A23+A24+B23+B24), and activate the software option of dynamic braking (see below).

This option is not available when the drive is used with a step motor.

The dynamic braking option can be found in the Drive Setup dialogue within MotionPRO / PROconfig. The braking will occur when DC bus voltage increases over U_{BRAKE} . This parameter (U_{BRAKE}) should be adjusted depending on the nominal motor supply. Optimally (from a braking point of view), U_{BRAKE} should be a few volts above the maximum nominal supply voltage. This setting will activate the brake resistor earlier, before reaching dangerous voltages – when the over-voltage protection will stop the drive. Of course, U_{BRAKE} must always be less than U_{MAX} – the over-voltage protection threshold.

Remark: This option can be combined with an external capacitor whose value is not enough to absorb the entire regenerative energy E_M but can help reducing the brake resistor size.

Brake resistor selection

The brake resistor value must be chosen to respect the following conditions:

1. to limit the maximum current below the drive peak current $I_{PEAK} = 10A$

$$R_{BR} > \frac{U_{MAX}}{I_{PEAK}}$$

2. to sustain the required *braking power*:

$$P_{BR} = \frac{E_M - \frac{1}{2}C(U_{MAX}^2 - U_{brake}^2)}{t_d}$$

where C is the capacitance on the motor supply (external), i.e:

$$R_{BR} < \frac{U_{BRAKE}^2}{2 \times P_{BR}}$$

3. to limit the average current below the drive nominal current $I_{NOM}=4A$

$$R_{BR} > \frac{P_{BR} \times t_d}{t_{CYCLE} \times I_{NOM}^2}$$

where t_{CYCLE} is the time interval between 2 brakes in case of repetitive moves.

4. to be rated for an average power $P_{AV} = \frac{P_{BR} \times t_d}{t_{CYCLE}}$ and a peak power $P_{PEAK} = \frac{U_{MAX}^2}{R_{BR}}$

Remarks:

1. If $\frac{U_{MAX}}{I_{PEAK}} > \frac{U_{BRAKE}^2}{2 \times P_{BR}}$ the braking power P_{BR} must be reduced by increasing either t_d – the time to decelerate or C – the external capacitor on the motor supply

2. If $\frac{P_{BR} \times t_d}{t_{CYCLE} \times I_{NOM}^2} > \frac{U_{BRAKE}^2}{2 \times P_{BR}}$ either the braking power must be reduced (see Remark 1) or t_{CYCLE} – the time interval between braking cycles must be increased

	WARNING!	THE BRAKE RESISTOR MAY HAVE HOT SURFACES DURING OPERATION.
---	-----------------	---

3.4.12. Serial RS-232 connection

3.4.12.1 Serial RS-232 connection

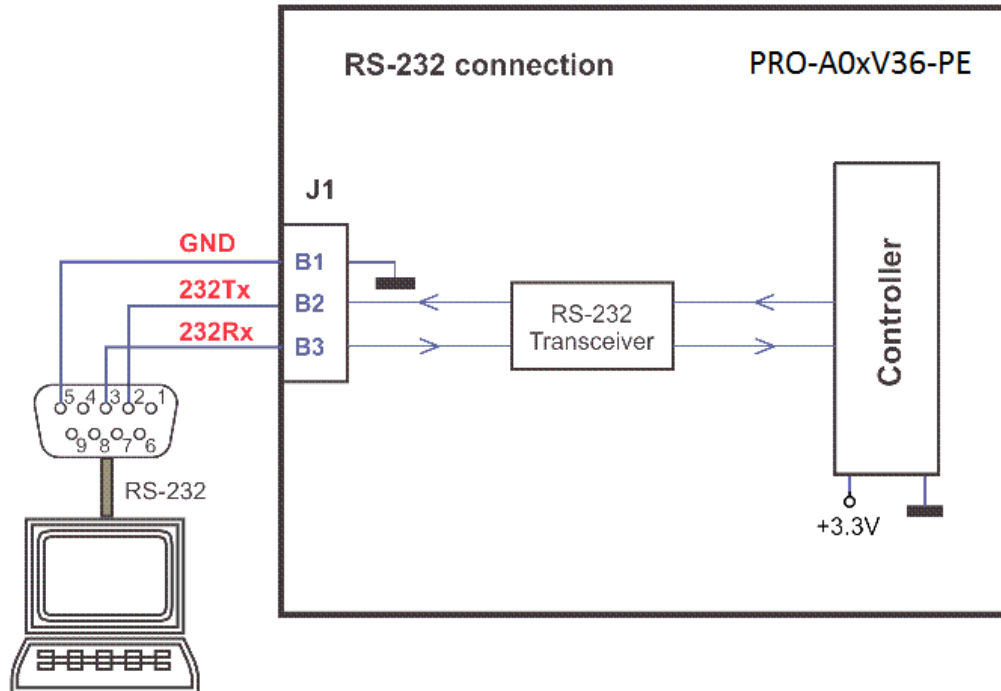


Figure 3.26. Serial RS-232 connection

3.4.12.2 Recommendation for wiring

- If you build the serial cable, you can use a 3-wire shielded cable with shield connected to BOTH ends. Do not use the shield as GND. The ground wire (pin B1 of J1) must be included inside the shield, like the 232Rx and 232Tx signals

- b) Always power-off all the PRO-A0xV36 supplies before inserting/removing the RS-232 serial connector
- c) Do not rely on an earthed PC to provide the PRO-A0xV36 GND connection! The drive must be earthed through a separate circuit. Most communication problems are caused by the lack of such connection

3.4.13. CAN-bus connection

3.4.13.1 CAN connection

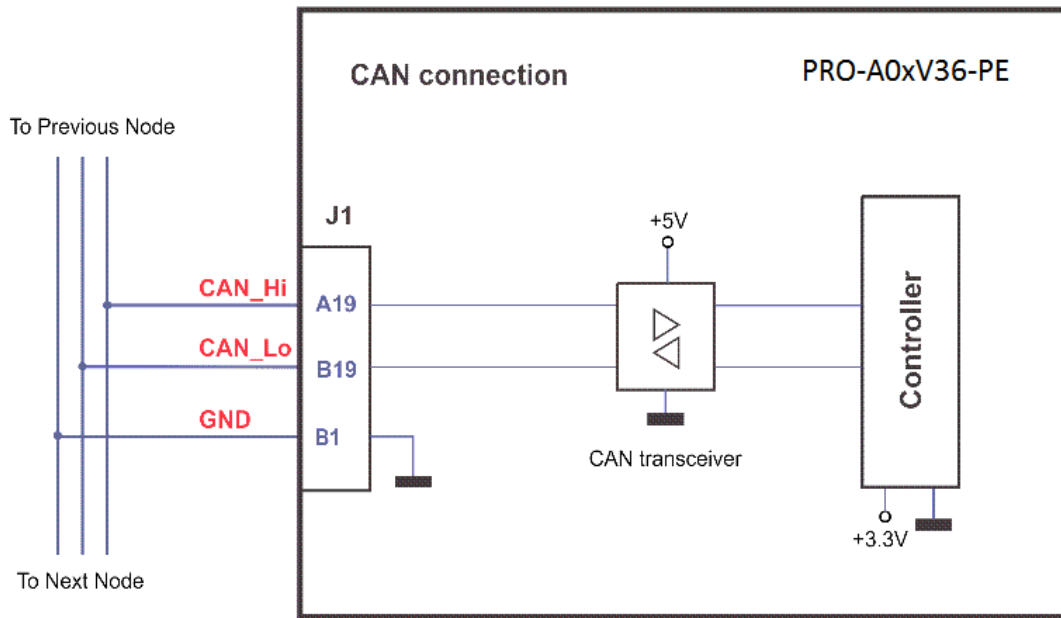


Figure 3.27. CAN connection

Remarks:

1. The CAN network requires a 120-Ohm terminator. This is not included on the board. Figure 3.28 shows how to connect it on your network
2. CAN signals are not insulated from other PRO-A0xV36 circuits.

3.4.13.2 Recommendation for wiring

- a) Build CAN network using cables with twisted wires (2 wires/pair), with CAN-Hi twisted together with CAN-Lo. It is recommended but not mandatory to use a shielded cable. If so, connect the shield to GND. The cable impedance must be 105 ... 135 ohms (120 ohms typical) and a capacitance below 30pF/meter.

-
- b) When using a printed circuit board (PCB) motherboard based on FR-4 material, build the CAN network using a pair of 12mil (0.012") tracks, spaced 8 to 10mils (0.008"...0.010") apart, placed over a local ground plane (microstrip) which extends at least 1mm left and right to the tracks.
 - c) Whenever possible, use daisy-chain links between the CAN nodes. Avoid using stubs. A stub is a "T" connection, where a derivation is taken from the main bus. When stubs can't be avoided keep them as short as possible. For 1 Mbit/s (worst case), the maximum stub length must be below 0.3 meters.
 - d) The 120 Ω termination resistors must be rated at 0.2W minimum. Do not use winded resistors, which are inductive.

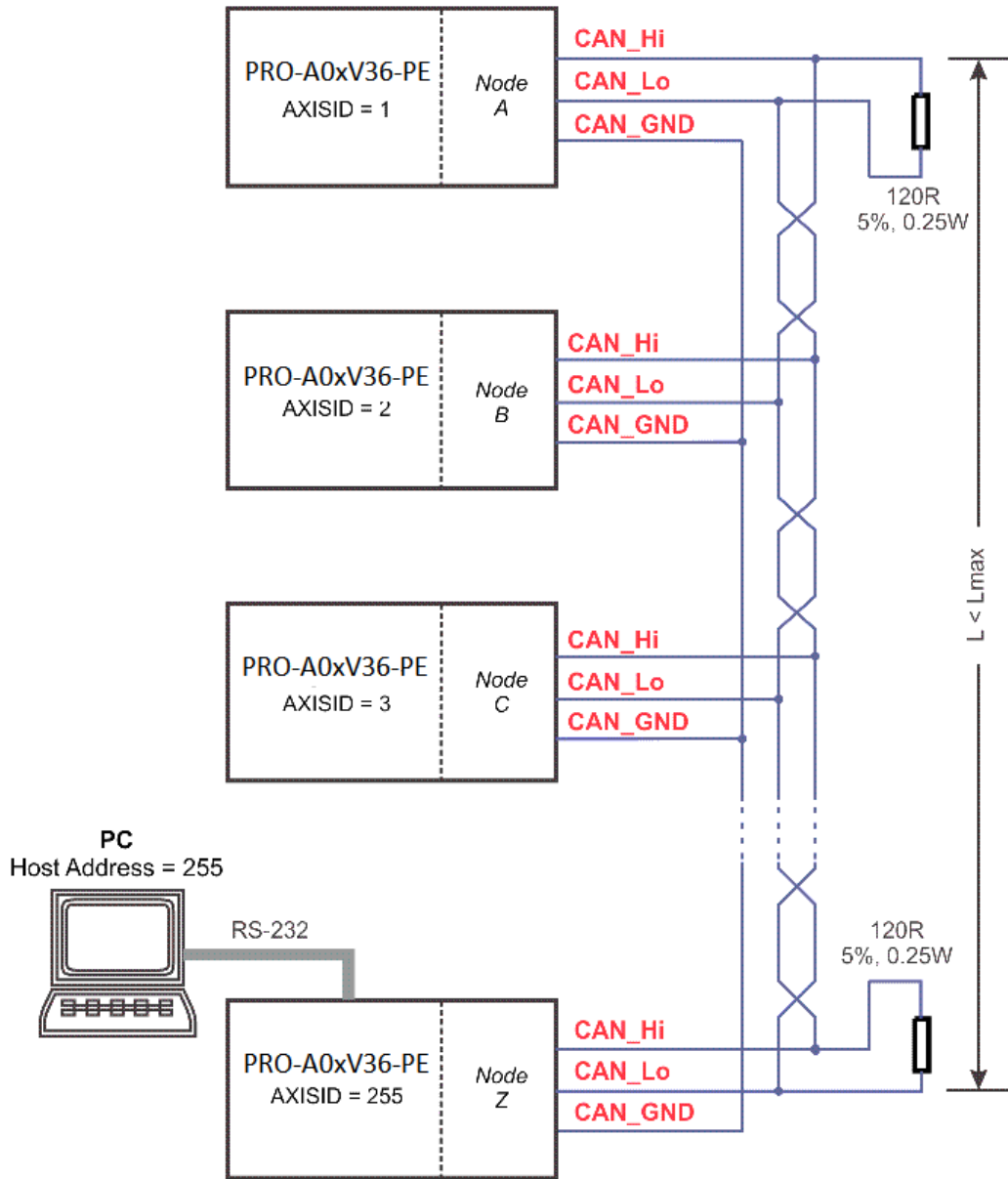


Figure 3.28. Multiple-Axis CAN network

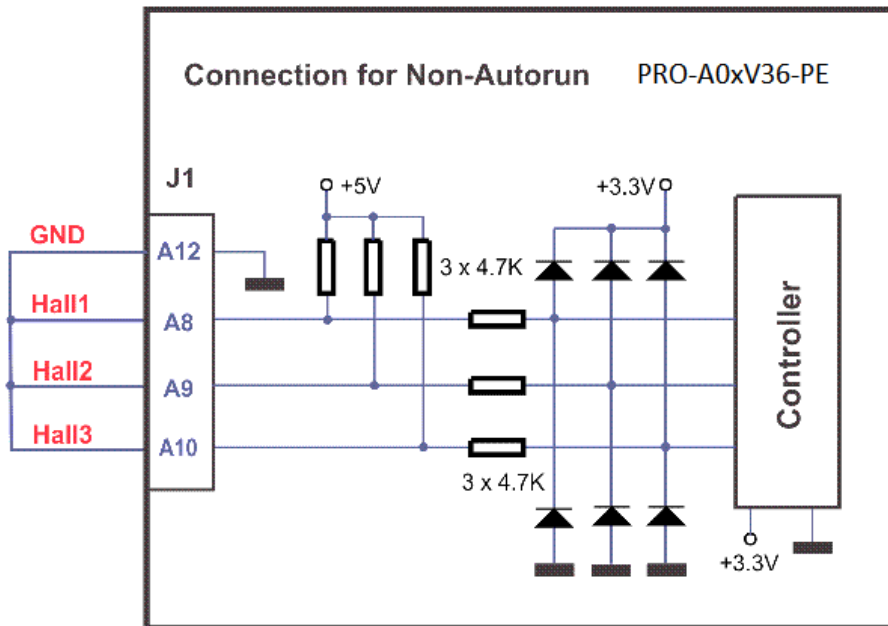
3.4.14. Disabling Autorun Mode

When PRO-A0xV36 is set in MPLCAN operation mode, by default after power-on it enters automatically in *Autorun* mode. In this mode, if the drive has in its local EEPROM a valid MPL application (motion program), this is automatically executed as soon as the motor supply V_{MOT} is turned on.

In order to disable *Autorun* mode, there are 2 methods:

- a) Software - by writing value 0x0001 in first EEPROM location at address 0x4000
- b) Hardware – by temporary connecting all digital Hall inputs to GND, during the power-on for about 1 second, until the green LED is turned on, as shown in *Figure 3.29*. This option is particularly useful when it is not possible to communicate with the drive.

After the drive is set in *non-Autorun/slave* mode using 2nd method, the 1st method may be used to invalidate the MPL application from the EEPROM. On next power on, in absence of a valid MPL application, the drive enters in the *non-Autorun/slave* mode independently of the digital Hall inputs status.



*Figure 3.29. Temporary connection during power-on to disable **Autorun** mode*

4. Step 2. Drive Setup

4.1. Installing PROconfig

PROconfig is a PC software platform for the setup of the ElectroCraft drives. PROconfig is part of the ElectroCraft Motion PRO Suite is available as part of a PRO Series Drive Evaluation Kit. PROconfig comes with an **Update via Internet tool** through which you can check if your software version is up-to-date, and when necessary download and install the latest updates.

PROconfig can be installed independently or together with the **MotionPRO Developer** for motion programming using MPL. You will need MotionPRO Developer only if you plan to use the advanced features presented in Section 5.3

On request, PROconfig can be provided on a CD too. In this case, after installation, use the update via internet tool to check for the latest updates. Once you have started the installation package, follow its indications.

4.2. Getting Started with PROconfig

Using PROconfig you can quickly setup a drive for your application. The drive can be connected with your PC in one of the following ways:

1. Via an RS232 link, directly connected to the PC, or via an USB to RS232 adapter or using ElectroCraft Ethernet to RS232 adapter, function of your PC communication interfaces;
2. Via a CAN-bus link, directly connected to the PC through a PC-CAN interface, or using ElectroCraft Ethernet to CAN adapter
3. Via another drive from the same CAN-bus network, which is connected to the PC via one of the above options from point 1.

The output of PROconfig is a set of *setup data*, which can be downloaded into the drive EEPROM or saved on your PC for later use.

PROconfig includes a set of evaluation tools like the Data Logger, the Control Panel and the Command Interpreter which help you to quickly measure, check and analyze your drive commissioning.

PROconfig works with **setup** data. A **setup** contains all the information needed to configure and parameterize a ElectroCraft drive. This information is preserved in the drive EEPROM in the *setup table*. The setup table is copied at power-on into the RAM memory of the drive and is used during runtime. With PROconfig it is also possible to retrieve the complete setup information from a drive previously programmed.

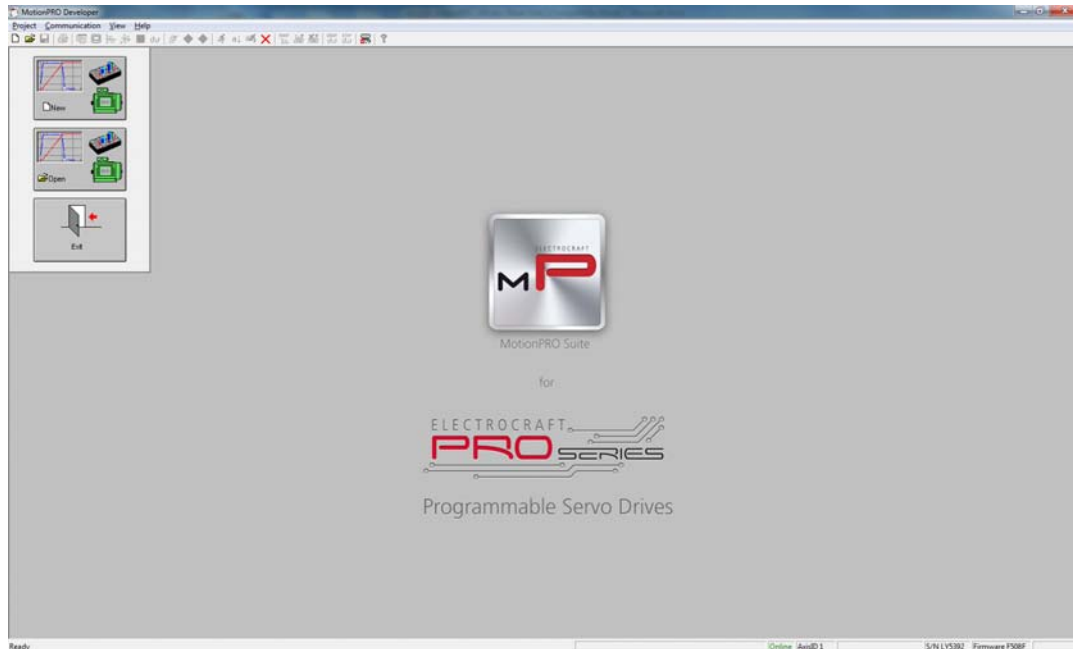
Note that with PROconfig you do only your drive/motor commissioning. For motion programming you have the following options:

- Use a **CANopen** master to control the PRO-A0xV36 as a standard CANopen drive
- Use **MotionPRO Developer** to create and download a **MPL** program into the drive/motor memory

- Use one of the **MPL_LIB** motion libraries to control the drives/motors from your host/master. If your host is a **PC**, MPL_LIB offers a collection of high level motion functions which can be called from applications written in C/C++, Visual Basic, Delphi Pascal or LabVIEW. If your host is a **PLC**, MPL_LIB offers a collection of function blocks for motion programming, which are **IEC61131-3 compatible** and can be integrated in your PLC program.
- **Implement** on your master the MPL commands you need to send to the drives/motors using one of the supported communication channels. The implementation must be done according with ElectroCraft communication protocols.
- **Combine** MPL programming at drive level with one of the other options (see Section 5.3)

4.2.1. Establish communication

PROconfig starts with an empty window from where you can create a **New** setup, **Open** a previously created setup which was saved on your PC, or **Upload** the setup from the drive/motor.

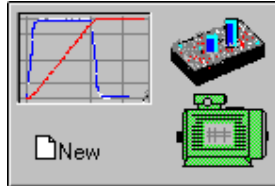


Before selecting one of the above options, you need to establish the communication with the drive you want to commission. Use menu command **Communication | Setup** to check/change your PC communication settings. Press the **Help** button of the dialogue opened. Here you can find detailed information about how to setup your drive and do the connections. Power on the drive, then close the Communication | Setup dialogue with OK. If the communication is established, PROconfig displays in the status bar (the bottom line) the text "**Online**" plus the axis ID of your drive/motor and its firmware version. Otherwise the text displayed is "**Offline**" and a

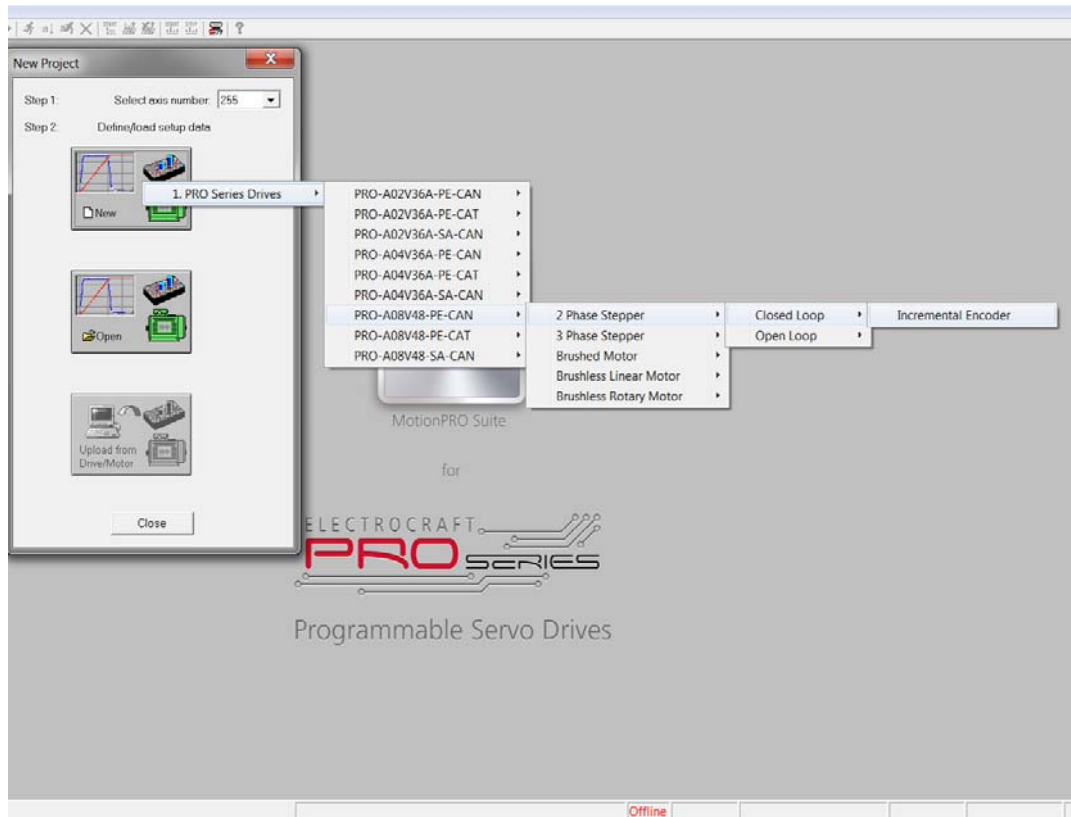
communication error message tells you the error type. In this case, return to the Communication | Setup dialogue, press the Help button and check troubleshoots

Remark: When first started, PROconfig tries to communicate via RS-232 and COM1 with a drive having axis ID=255 (default communication settings). If the drive has a different axis ID and you don't know it, select in the Communication | Setup dialogue at "Axis ID of drive/motor connected to PC" the option **Autodetected**. If this drive is part of a CANbus network,, use the menu command **Communication | Scan Network**

4.2.2. Setup drive/motor

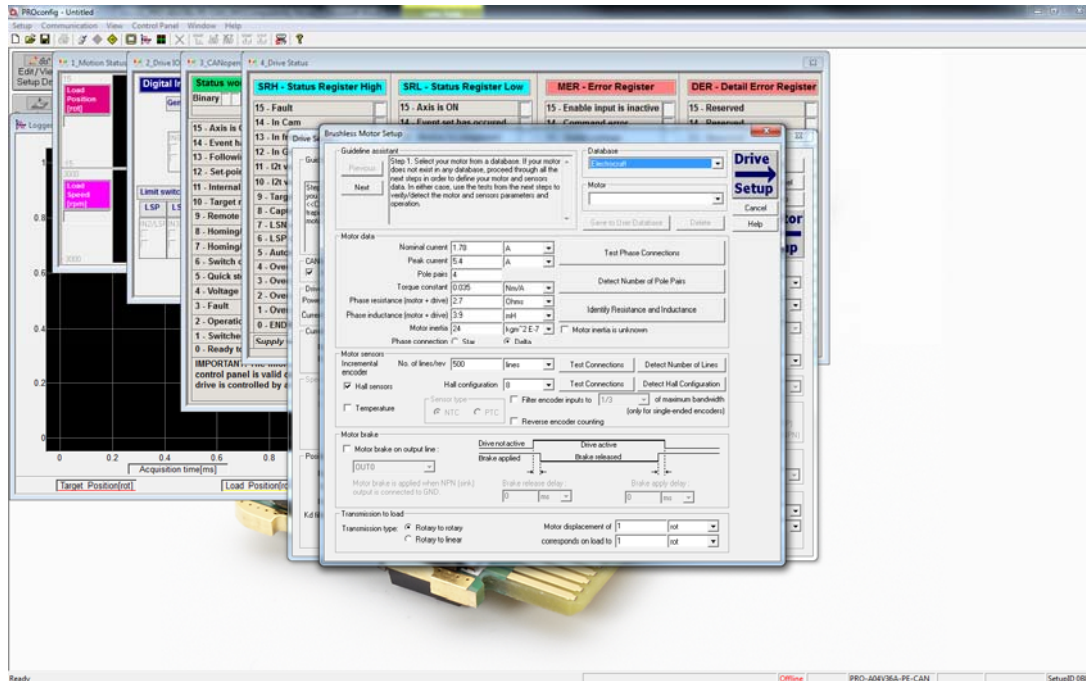


Press **New** button and select your drive type.



The selection continues with the motor technology (for example: brushless or brushed) and type of feedback device (for example: Incremental encoder, Linear Halls).

The selection opens 2 setup dialogues: for **Motor Setup** and for **Drive setup** through which you can configure and parameterize an ElectroCraft drive, plus several predefined control panels customized for the product selected.



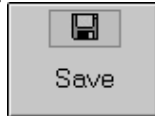
In the **Motor setup** dialogue you can introduce the data of your motor and the associated sensors. Data introduction is accompanied by a series of tests having as goal to check the connections to the drive and/or to determine or validate a part of the motor and sensors parameters. In the **Drive setup** dialogue you can configure and parameterize the drive for your application. In each dialogue you will find a **Guideline Assistant**, which will guide you through the whole process of introducing and/or checking your data. Close the Drive setup dialogue with **OK** to keep all the changes regarding the motor and the drive setup.

4.2.3. Download setup data to drive/motor



Press the **Download to Drive/Motor** button to download your setup data in the drive/motor EEPROM memory in the *setup table*. From now on, at each power-on, the setup data

is copied into the drive/motor RAM memory which is used during runtime. It is also possible to



Save the setup data on your PC and use it in other applications.

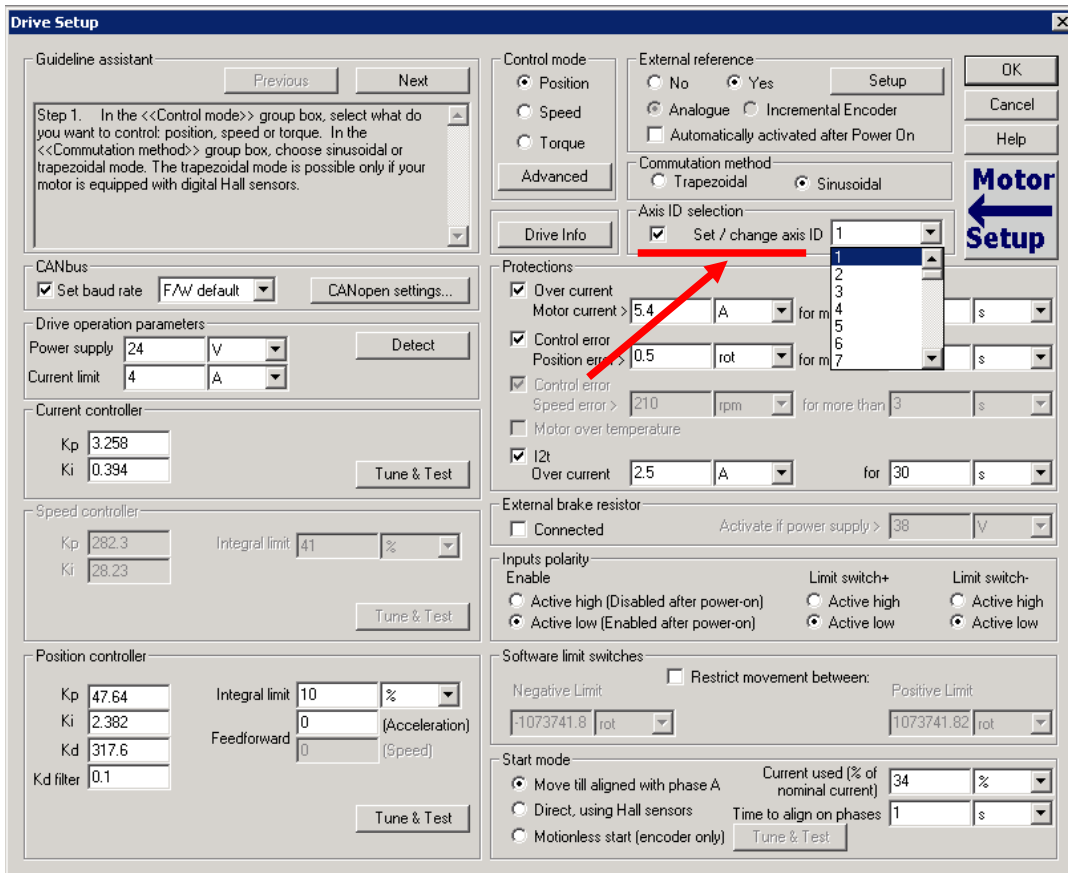
To summarize, you can define or change the setup data in the following ways:

- create a new setup data by going through the motor and drive dialogues
- use setup data previously saved in the PC
- upload setup data from a drive/motor EEPROM memory

4.2.4. Evaluate drive/motor behavior (optional)

You can use the **Data Logger** or the **Control Panel** evaluation tools to quickly measure and analyze your application behavior. In case of errors like protections triggered, use the Drive Status control panel to find the cause.

4.3. Changing the drive Axis ID



The axis ID of a PRO-A0xV36 drive can be set in 3 ways:

- Hardware (H/W) – according with AxisID inputs levels as described in par. 3.4.5)
- Software (via Setup)– any value between 1 and 255, stored in the setup table. If the drive is in CANopen mode, a Node ID value above 127 is automatically converted into 255 and the drive is set with CAN communication “non-configured” mode waiting for a CANopen master to configure it using CiA-305 protocol. A “non-configured” drive answers only to CiA-305 commands. All other CANopen commands are ignored and transmission of all other CANopen messages (including boot-up) is disabled. In absence of a CANopen master, you can get out a drive from “non-configured” mode, by setting another axis ID between 1 and 127, from above dialogue using a serial link between the drive and the PC.
- Software (via CANopen master) – using CiA-305 protocol

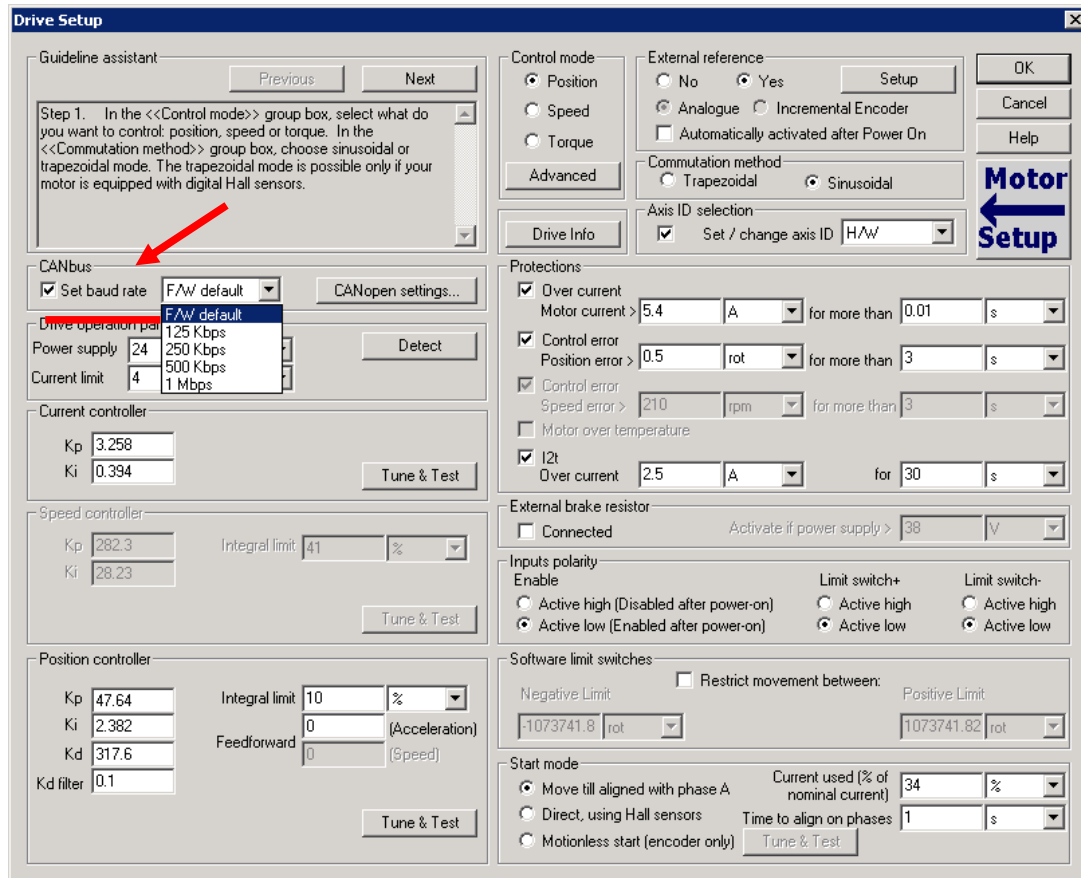
The axis ID is initialized at power on, using the following algorithm:

- a) If a valid setup table exists, and this setup table was created with the *Axis ID Selection* checkbox checked in the Drive Setup dialogue (see above) – with the value read from the setup table. This value can be an axis number 1 to 255 or can indicate that axis ID will be set according with the AxisID inputs levels. If the drive is set in CANopen mode and the Axis ID is over 127 it is converted into 255 and the drive enters in CAN communication “non-configured” mode
- b) If a valid the setup table exists, and this was created with the *Axis ID Selection* checkbox unchecked in the Drive Setup dialogue (see above) – with the last value set either from a valid setup table or by a CANopen master via CiA-305 protocol. This value can be an axis number 1 to 255 for MPLCAN, 1 to 127 for CANopen, or can indicate that axis ID will be set according with the AxisID inputs levels
- c) If the setup table is invalid, with the last value set either from a valid setup table or by a CANopen master via CiA-305 protocol. This value can be an axis number 1 to 255 for MPLCAN, 1 to 127 for CANopen, or can indicate that axis ID will be set according with the AxisID inputs levels
- d) If the setup table is invalid, there is no previous axis ID set from a valid setup table or by a CANopen master, according with the AxisID inputs levels

Remark: *If you don't know the axis ID set in a drive, you can find it in the following way:*

- a) *Connect the drive via a serial RS232 link to a PC where PROconfig or MotionPRO Developer are installed*
- b) *With the drive powered, open PROconfig or MotionPRO Developer and check the status bar. If communication with the drive is established, the status bar displays **Online** in green and nearby the drive's Axis ID. If the status bar displays **Offline** in red, execute menu command “Communication|Setup...” and in the dialogue opened select at “Channel Type” **RS232** and at “Axis ID of drive/motor connected to PC” the option **Autodetected**. After closing the dialogue with OK, communication with the drive shall be established and the status bar shall display the drive's Axis ID*
- c) *If the access to the drive with the unknown Axis ID is difficult, but this drive is connected via CANbus with other ElectroCraft drives having an easier access, connect your PC serially to one of the other drives. Use PROconfig or MotionPRO Developer menu command **Communication | Scan Network** to find the axis IDs of all the ElectroCraft drives present in the network.*

4.4. Setting CANbus rate



The PRO-A0xV36 drives accept the following CAN rates: 125Kbps, 250 Kbps, 500kbps and 1Mbps. Using the Drive Setup dialogue you can choose the initial CAN rate after power on. This information is stored in the setup table The CAN rate is initialized using the following algorithm:

- If a valid setup table exists, and this setup table was created with the *Set baud rate* checkbox checked in the Drive Setup dialogue (see above) – with the value read from the setup table. This value can be one of the above 4 values or the firmware default (F/W default) which is 500kbs
- If a valid setup table exists, and this setup table was created with the *Set baud rate* checkbox unchecked in the Drive Setup dialogue (see above) – with the last value set either from a valid setup table or by a CANopen master via CiA-305 protocol
- If the setup table is invalid, with the last value set either from a valid setup table or by a CANopen master via CiA-305 protocol.

-
- d) If the setup table is invalid, there is no previous CAN rate set from a valid setup table or by a CANopen master, with f/w default value which is 500kbs

4.5. Creating an Image File with the Setup Data

Once you have validated your setup, you can create with the menu command **Setup | Create EEPROM Programmer File** a software file (with extension **.sw**) which contains all the setup data to write in the EEPROM of your drive.

A software file is a text file that can be read with any text editor. It contains blocks of data separated by an empty raw. Each block of data starts with the block start address, followed by data values to place in ascending order at consecutive addresses: first data – to write at start address, second data – to write at start address + 1, etc. All the data are hexadecimal 16- bit values (maximum 4 hexadecimal digits). Each raw contains a single data value. When less than 4 hexadecimal digits are shown, the value must be right justified. For example 92 represent 0x0092.

The **.sw** file can be programmed into a drive:

- from a CANopen master, using the communication objects for writing data into the drive EEPROM
- from a host PC or PLC, using the MPL_LIB functions for writing data into the drive EEPROM
- using the PRO EEPROM Programmer tool, which comes with PROconfig but may also be installed separately. The PRO EEPROM Programmer was specifically designed for repetitive fast and easy programming of **.sw** files into the ElectroCraft drives during production.

5. Step 3. Motion Programming

5.1. Using a CANopen Master (for PRO-A0xV36 CANopen execution)

The PRO-A0xV36 drive conforms to **CiA 301 v.4.2** application layer and communication profile, **CiA WD 305 v.2.2.13** layer settings services and protocols and **CiA DSP 402 v3.0** device profile for drives and motion control the now included in IEC 61800-7-1 Annex A, IEC 61800-7-201 and IEC 61800-7-301 standards. For details see **ElectroCraft PRO Series CANopen Programming (Document No. A11226)**.

5.1.1. CiA-301 Application Layer and Communication Profile Overview

The PRO-A0xV36 drive accepts the following basic services and types of communication objects of the CANopen communication profile CiA301 v4.2:

- **Service Data Object (SDO)**

Service Data Objects (SDOs) are used by CANopen master to access any object from the drive's Object Dictionary. Both expedited and segmented SDO transfers are supported. SDO transfers are confirmed services. The SDOs are typically used for drive configuration after power-on, for PDOs mapping and for infrequent low priority communication between the CANopen master and the drives.

- **Process Data Object (PDO)**

Process Data Objects (PDO) are used for high priority, real-time data transfers between CANopen master and the drives. The PDOs are unconfirmed services which are performed with no protocol overhead. Transmit PDOs are used to send data from the drive, and receive PDOs are used to receive on to the drive. The PRO-A0xV36 accepts 4 transmit PDOs and 4 receive PDOs. The contents of the PDOs can be set according with the application needs using the dynamic PDO-mapping. This operation can be done during the drive configuration phase using SDOs.

- **Synchronization Object (SYNC)**

The SYNC message provides the basic network clock, as the SYNC producer broadcasts the synchronization object periodically. The service is unconfirmed. The PRO-A0xV36 supports both SYNC consumer and producer.

- **Time Stamp Object (TIME)**

The Time Stamp Object is supported by the PRO-A0xV36 device.

- **Emergency Object (EMCY)**

Emergency objects are triggered by the occurrence of a drive internal error situation. An emergency object is transmitted only once per 'error event'. As long as no new errors occur, the drive will not transmit further emergency objects.

- **Network Management Objects (NMT)**

The Network Management is node oriented and follows a master-slave structure. NMT objects are used for executing NMT services. Through NMT services the drive can be initialized, started, monitored, reset or stopped. The PRO-A0xV36 is a NMT slave in a CANopen network.

-
- **Module Control Services** – through these unconfirmed services, the NMT master controls the state of the drive. The following services are implemented: Start Remote Node, Stop Remote Node, Enter Pre-Operational, Reset Node, Reset Communication
 - **Error Control Services** – through these services the NMT master detects failures in a CAN-based network. Both error control services defined by DS301 v4.02 are supported by the PRO-A0xV36: Node Guarding (including Life Guarding) and Heartbeat
 - **Bootup Service** - through this service, the drive indicates that it has been properly initialized and is ready to receive commands from a master

5.1.2. CiA-305 Layer Setting Services (LSS) and Protocols Overview

When used in a CANopen network, the PRO-A0xV36 drives accept node-ID and CAN bus bit timing settings according with CiA 305 protocol. This allows a CANopen master supporting CiA WD 305 to configure each PRO-A0xV36 from the network with the desired node-ID and CAN bus bit timing. CiA-305 protocol allows connecting non-configured drives to a CANopen network and performing the drives configuration on-the-fly via the CANopen master.

5.1.3. CiA-402 and Manufacturer Specific Device Profile Overview

The PRO-A0xV36 supports the following CiA 402 modes of operation:

- **Profile position and velocity modes**
- **Homing mode**
- **Interpolated position mode**

Additional to these modes, there are also several manufacturer specific modes defined:

- **External reference modes (position, speed or torque)**
- **Electronic gearing and camming position mode**

5.1.4. ElectroCAN Extension

In order to take full advantage of the powerful ElectroCraft Motion PROgramming Language (MPL) built into the PRO-A0xV36, ElectroCraft has developed an extension to CANopen, called ElectroCAN through which MPL commands can be exchanged with the drives. Thanks to ElectroCAN you can inspect or reprogram any of the ElectroCraft drives from a CANopen network using PROconfig or MotionPRO Developer and an RS-232 link between your PC and anyone of the drives.

ElectroCAN uses only identifiers outside of the range used by the default by the CANopen predefined connection set (as defined by CiA 301). Thus, ElectroCraft Document Number A11235 and CANopen protocol can co-exist and communicate simultaneously on the same physical CAN bus, without disturbing each other.

5.1.5. Checking Setup Data Consistency

During the configuration phase, a CANopen master can quickly verify using the checksum objects and a reference **.sw** file (see 4.5 and 5.2.4 for details) whether the non-volatile EEPROM memory of an PRO-A0xV36 drive contains the right information. If the checksum reported by the drive doesn't match with that computed from the **.sw** file, the CANopen master can download the entire

.sw file into the drive EEPROM using the communication objects for writing data into the drive EEPROM.

5.2. Using the built-in Motion Controller and MPL

One of the key advantages of the ElectroCraft drives is their capability to execute complex motions without requiring an external motion controller. This is possible because ElectroCraft drives offer in a single compact package both a state of art digital drive and a powerful motion controller.

5.2.1. ElectroCraft Motion PROgramming Language Overview

Programming motion directly on a ElectroCraft drive requires creating and downloading a MPL (ElectroCraft Motion PROgramming Language) program into the drive memory. The MPL allows you to:

- Set various motion modes (profiles, PVT, PT, electronic gearing or camming¹, etc.)
- Change the motion modes and/or the motion parameters
- Execute homing sequences²
- Control the program flow through:
 - Conditional jumps and calls of MPL functions
 - MPL interrupts generated on pre-defined or programmable conditions (protections triggered, transitions on limit switch or capture inputs, etc.)
 - Waits for programmed events to occur
- Handle digital I/O and analog input signals
- Execute arithmetic and logic operations
- Perform data transfers between axes
- Control motion of an axis from another one via motion commands sent between axes
- Send commands to a group of axes (multicast). This includes the possibility to start simultaneously motion sequences on all the axes from the group
- Synchronize all the axes from a network

In order to program a motion using MPL you need MotionPRO Developer software platform.

5.2.2. Installing MotionPRO Suite

MotionPRO Suite is an integrated development environment for the setup and motion programming of ElectroCraft programmable drives. It comes with an **Update via Internet tool** through which you can check if your software version is up-to-date, and when necessary download and install the latest updates.

¹ Optional for PRO-A04V36 CANopen execution

² The customization of the homing routines is available only for PRO-A04V36 CAN execution

MotionPRO Suite, including the fully functional version of PROconfig, is part of a PRO Series Drive Evaluation Kit. Please contact ElectroCraft or your local ElectroCraft sales representative for more information on obtaining MotionPRO Suite or an evaluation kit.

MotionPRO Suite is delivered on a CD. Once you have started the installation package, follow its indications. After installation, use the update via internet tool to check for the latest updates. Alternately, you can first install the demo version and then purchase a license.

5.2.3. Getting Started with MotionPRO Suite

Using MotionPRO Suite you can quickly do the setup and the motion programming of a ElectroCraft a drive according with your application needs. The drive can be connected with your PC in one of the following ways:

1. Via an RS232 link, directly connected to the PC, or via an USB to RS232 adapter or using ElectroCraft Ethernet to RS232 adapter, function of your PC communication interfaces;
2. Via a CAN-bus link, directly connected to the PC through a PC-CAN interface, or using ElectroCraft Ethernet to CAN adapter
3. Via another drive from the same CAN-bus network, which is connected to the PC via one of the above options from point 1.

The output of the MotionPRO Developer is a set of setup data and a motion program, which can be downloaded to the drive/motor EEPROM or saved on your PC for later use.

MotionPRO Suite includes a set of evaluation tools like the Data Logger, the Control Panel and the Command Interpreter which help you to quickly develop, test, measure and analyze your motion application.

MotionPRO Suite works with **projects**. A project contains one or several **Applications**.

Each application describes a motion system for one axis. It has 2 components: the **Setup** data and the **Motion** program and an associated axis number: an integer value between 1 and 255. An application may be used either to describe:

1. One axis in a multiple-axis system
2. An alternate configuration (set of parameters) for the same axis.

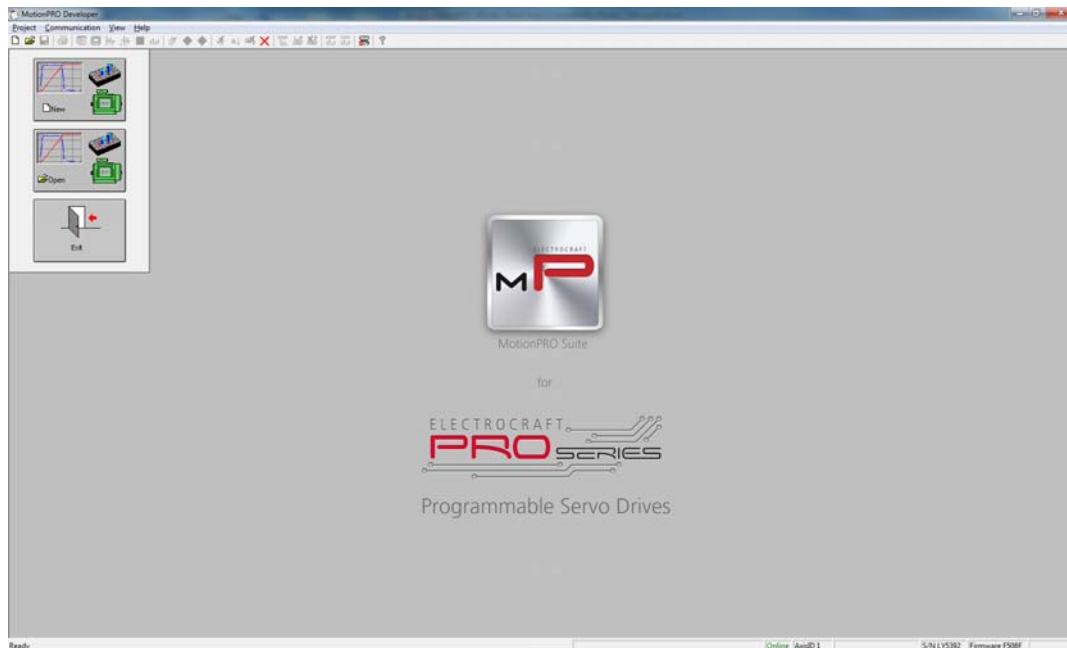
In the first case, each application has a different axis number corresponding to the axis ID of the drives/motors from the network. All data exchanges are done with the drive/motor having the same address as the selected application. In the second case, all the applications have the same axis number.

The setup component contains all the information needed to configure and parameterize a ElectroCraft drive. This information is preserved in the drive/motor EEPROM in the *setup table*. The setup table is copied at power-on into the RAM memory of the drive/motor and is used during runtime.

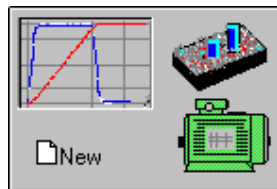
The motion component contains the motion sequences to do. These are described via a MPL (ElectroCraft Motion PROgramming Language) program, which is executed by the drives/motors built-in motion controller.

5.2.3.1 Create a new project

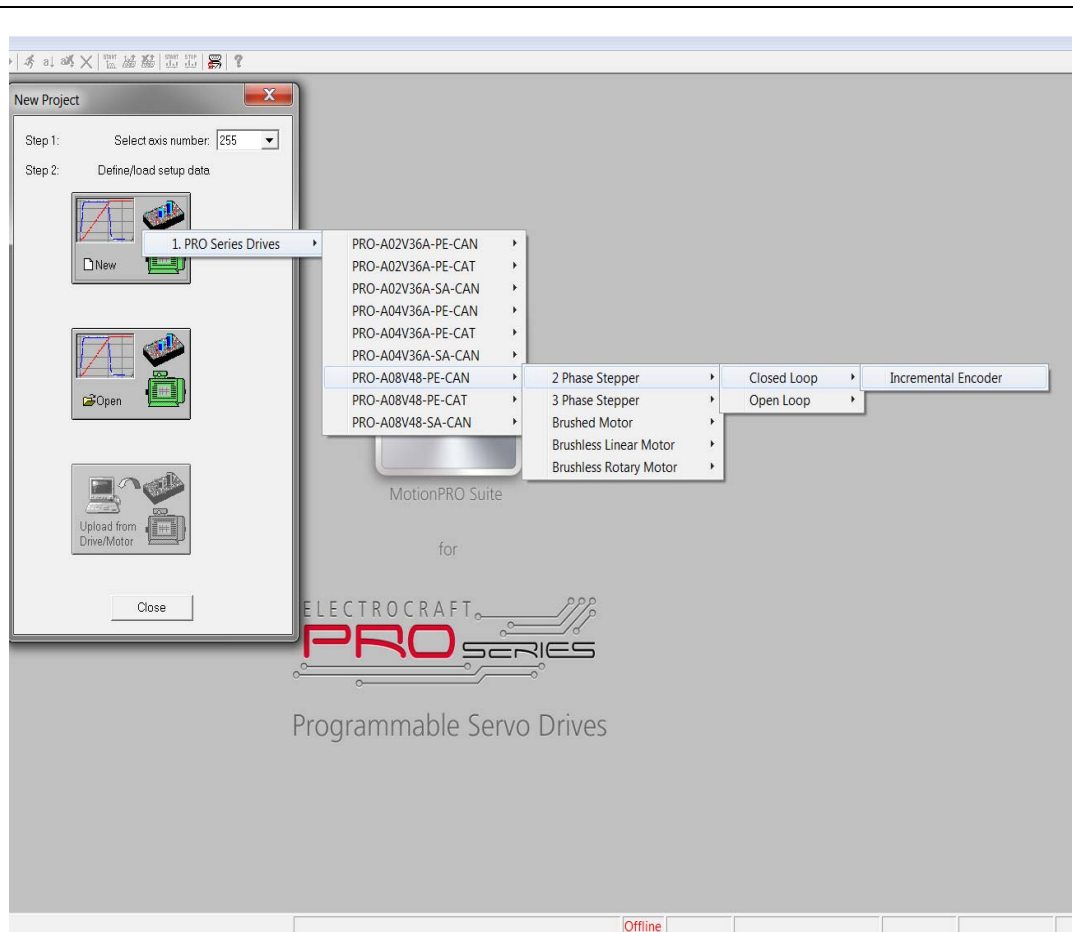
MotionPRO Developer starts with an empty window from where you can create a new project or open a previously created one.



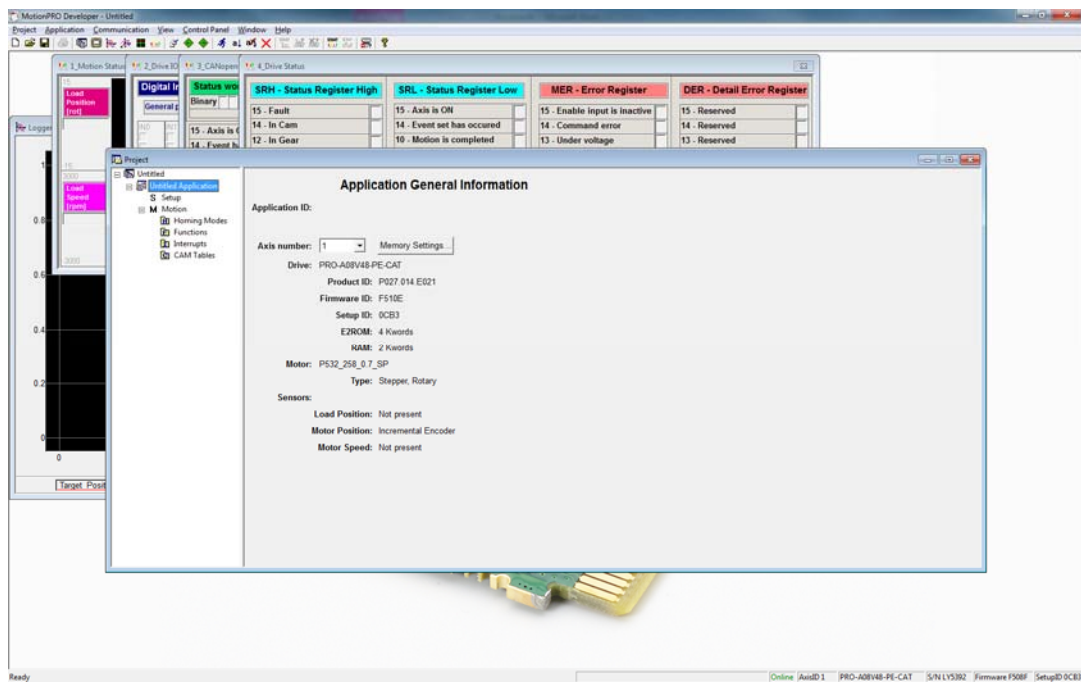
When you start a new project, MotionPRO Developer automatically creates a first application. Additional applications can be added later. You can duplicate an application or insert one defined in another project.



Press **New** button to open the “New Project” dialogue. Set the axis number for your first application equal with your drive/motor axis ID. The initial value proposed is 255 which is the default axis ID of the drives. Press **New** button and select your drive type. Depending on the product chosen, the selection may continue with the motor technology (for example: brushless or brushed) and the type of feedback device (for example: incremental encoder).



Click on your selection. MotionPRO Developer opens the Project window where on the left side you can see the structure of a project. At beginning both the new project and its first application are named "Untitled". The application has 2 components: **S** Setup and **M** Motion (program).



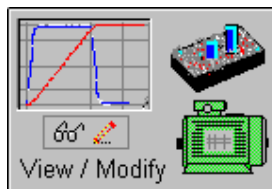
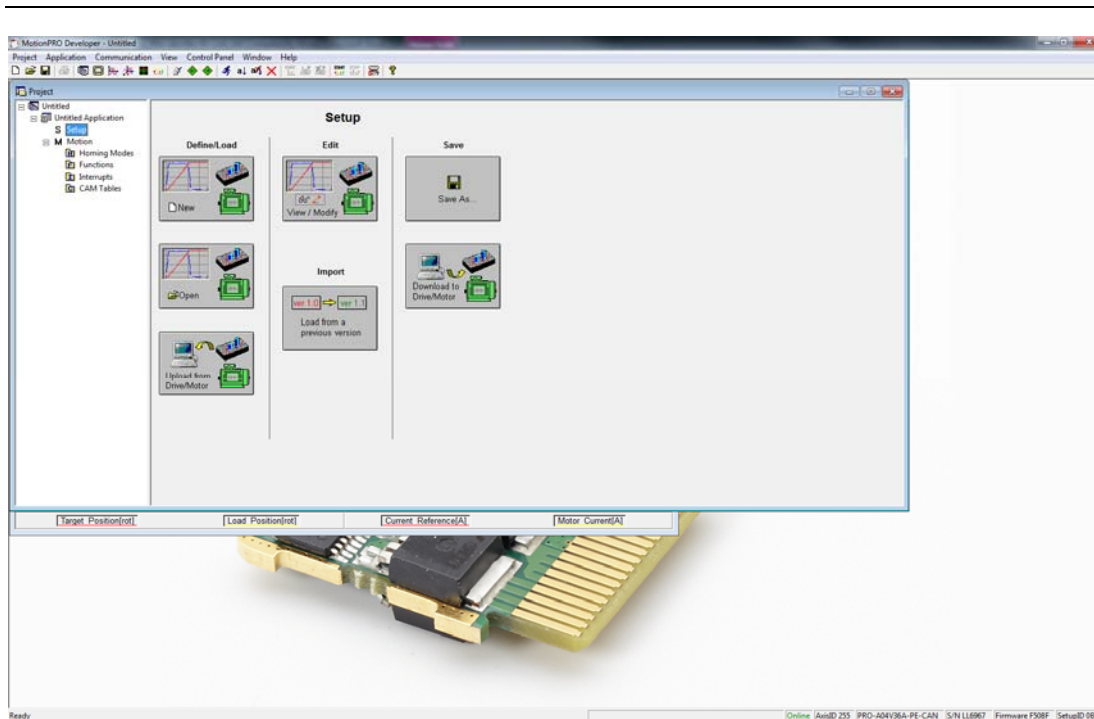
5.2.3.2 Step 2 Establish communication

If you have a drive/motor connected with your PC, now it's time to check the communication. Use menu command **Communication | Setup** to check/change your PC communication settings. Press the **Help** button of the dialogue opened. Here you can find detailed information about how to setup your drive/motor and the connections. Power on the drive, then close the Communication | Setup dialogue with OK. If the communication is established, MotionPRO Developer displays in the status bar (the bottom line) the text **"Online"** plus the axis ID of your drive/motor and its firmware version. Otherwise the text displayed is **"Offline"** and a communication error message tells you the error type. In this case, return to the Communication | Setup dialogue, press the Help button and check troubleshoots.

Remark: When first started, MotionPRO Developer tries to communicate via RS-232 and COM1 with a drive having axis ID=255 (default communication settings). If the drive has a different axis ID and you don't know it, select in the Communication | Setup dialogue at "Axis ID of drive/motor connected to PC" the option **Autodetected**. If this drive is part of a CANbus network and the PC is serially connected with another drive, use the menu command **Communication | Scan Network**

5.2.3.3 Setup drive/motor

In the project window left side, select **"S Setup"**, to access the setup data for your application.



Press **View/Modify** button. This opens 2 setup dialogues: for **Motor Setup** and for **Drive Setup** (same like on PROconfig) through which you can configure and parameterize a ElectroCraft drive. In the **Motor setup** dialogue you can introduce the data of your motor and the associated sensors. Data introduction is accompanied by a series of tests having as goal to check the connections to the drive and/or to determine or validate a part of the motor and sensors parameters. In the **Drive setup** dialogue you can configure and parameterize the drive for your application. In each dialogue you will find a **Guideline Assistant**, which will guide you through the whole process of introducing and/or checking your data.



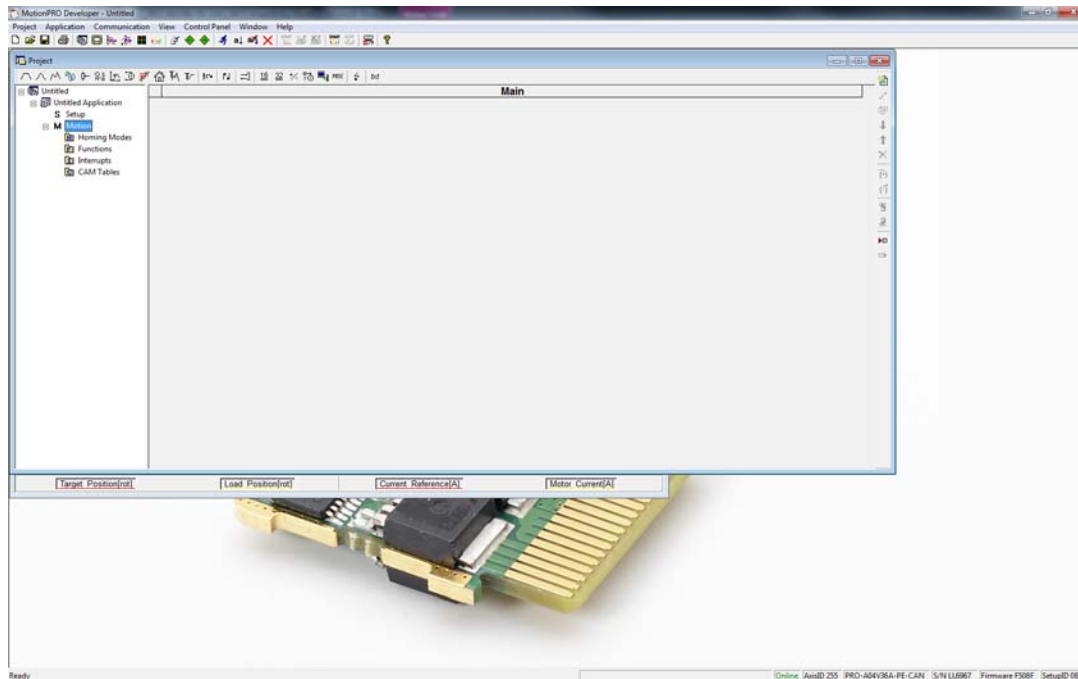
Press the **Download to Drive/Motor** button to download your setup data in the drive/motor EEPROM memory in the *setup table*. From now on, at each power-on, the setup data is copied into the drive/motor RAM memory which is used during runtime. It is also possible to save the setup data on your PC and use it in other applications. Note that you can upload the complete setup data from a drive/motor.

To summarize, you can define or change the setup data of an application in the following ways:

- create a new setup data by going through the motor and drive dialogues
- use setup data previously saved in the PC
- upload setup data from a drive/motor EEPROM memory

5.2.3.4 Program motion

In the project window left side, select “**M Motion**”, for motion programming. This automatically activates the **Motion Editor**.



The Motion Editor offers you the possibility to program all the motion sequences using high level dialogues which automatically generate the corresponding MPL instructions. Therefore with Motion Editor you can develop motion programs using almost all the MPL instructions without needing to learn them. A MPL program includes a main section, followed by the subroutines used: functions, interrupt service routines and homing procedures¹. The MPL program may also include cam tables used for electronic camming applications².

When activated, Motion Editor adds a set of toolbar buttons in the project window just below the title. Each button opens a programming dialogue. When a programming dialogue is closed, the associated MPL instructions are automatically generated. Note that, the MPL instructions

¹ The customization of the interrupt service routines and homing routines is available only for PRO-A04V36 CAN execution

² Optional for PRO-A04V36 CANopen execution

generated are not a simple text included in a file, but a motion object. Therefore with the Motion Editor you define your motion program as a collection of motion objects.

The major advantage of encapsulating programming instructions in motion objects is that you can very easily manipulate them. For example, you can:

- Save and reuse a complete motion program or parts of it in other applications
- Add, delete, move, copy, insert, enable or disable one or more motion objects
- Group several motion objects and work with bigger objects that perform more complex functions

As a starting point, push for example the leftmost Motion Editor button – Trapezoidal profiles, and set a position or speed profile. Then press the **Run** button. At this point the following operations are done automatically:

- A MPL program is created by inserting your motion objects into a predefined template
- The MPL program is compiled and downloaded to the drive/motor
- The MPL program execution is started

For learning how to send MPL commands from your host/master, using one of the communication channels and protocols supported by the drives use menu command **Application | Binary Code Viewer...** Using this tool, you can get the exact contents of the messages to send and of those expected to be received as answers.

5.2.3.5 Evaluate motion application performances

MotionPRO Suite includes a set of evaluation tools like the **Data Logger**, the **Control Panel** and the **Command Interpreter** which help you to quickly measure and analyze your motion application.

5.2.4. Creating an Image File with the Setup Data and the MPL Program

Once you have validated your application, you can create with the menu command **Application | Create PRO EEPROM Programmer File** a software file (with extension **.sw**) which contains all the data to write in the EEPROM of your drive. This includes both the setup data and the motion program. For details regarding the **.sw** file format and how it can be programmed into a drive, see paragraph 4.5

5.3. Combining CANopen /or other host with MPL

Due to its embedded motion controller, an PRO-A0xV36 offers many programming solutions that may simplify a lot the task of a CANopen master. This paragraph overviews a set of advanced programming features which arise when combining MPL programming at drive level with CANopen master control. A detailed description of these advanced programming features is included in the **CANopen Programming (Document No. A11226)** manual. All features presented below require usage of MotionPRO Developer as MPL programming tool

Remark: *If you don't use the advanced features presented below you don't need MotionPRO Developer. In this case the PRO-A0xV36 is treated like a standard CANopen drive, whose setup is done using PROconfig.*

5.3.1. Using MPL Functions to Split Motion between Master and Drives

With ElectroCraft programmable drives you can really distribute the intelligence between a CANopen master and the drives in complex multi-axis applications. Instead of trying to command each step of an axis movement, you can program the drives using MPL to execute complex tasks and inform the master when these are done. Thus for each axis, the master task may be reduced at: calling MPL functions (with possibility to abort their execution) stored in the drives EEPROM and waiting for a message, which confirms the finalization of the MPL functions execution.

5.3.2. Executing MPL programs

The distributed control concept can go one step further. You may prepare and download into a drive a complete MPL program including functions, homing procedures¹, etc. The MPL program execution can be started by simply writing a value in a dedicated object,

5.3.3. Loading Automatically Cam Tables Defined in MotionPRO Developer

The PRO-A0xV36 offers others motion modes like²: electronic gearing, electronic camming, external modes with analog or digital reference etc. When electronic camming is used, the cam tables can be loaded in the following ways:

- a) The master downloads the cam points into the drive active RAM memory after each power on;
- b) The cam points are stored in the drive EEPROM and the master commands their copy into the active RAM memory
- c) The cam points are stored in the drive EEPROM and during the drive initialization (transition to Ready to Switch ON status) are automatically copied from EEPROM to the active RAM

For the last 2 options the cam table(s) are defined in MotionPRO Developer and are included in the information stored in the EEPROM together with the setup data and the MPL programs/functions.

Remark: The cam tables are included in the **.sw** file generated with MotionPRO Developer. Therefore, the drives can check the cam presence in the drive EEPROM using the same procedure as for testing of the setup data.

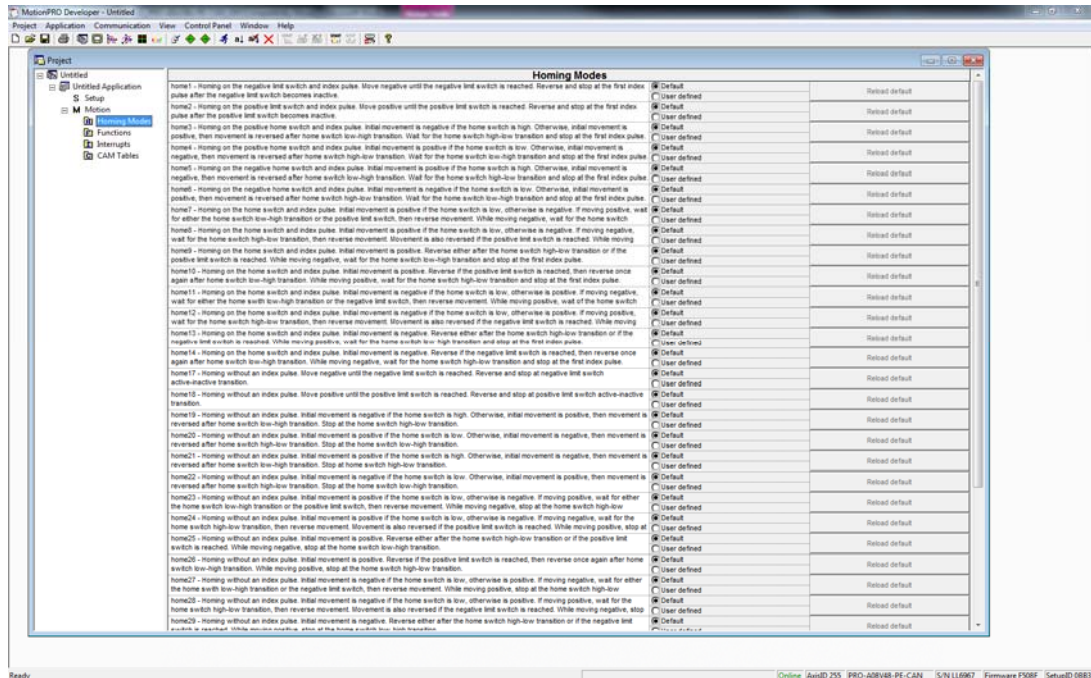
5.3.4. Customizing the Homing Procedures

The PRO-A0xV36 supports all homing modes defined in CiA402 device profile, plus 4 custom based on hard stop. If needed, any of these homing modes can be customized. In order to do this you need to select the Homing Modes from your MotionPRO Developer application and in the right side to set as "User defined" one of the Homing procedures. Following this operation the

¹ The customization of the interrupt service routines and homing routines is available only for PRO-A04V36 CAN executions

² Optional for the PRO-A04V36 CANopen execution

selected procedure will occur under Homing Modes in a subtree, with the name *HomeX* where X is the number of the selected homing.



If you click on the *HomeX* procedure, on the right side you'll see the MPL function implementing it. The homing routine can be customized according to your application needs. It's calling name and method remain unchanged.

5.3.5. Customizing the Drive Reaction to Fault Conditions

Similarly to the homing modes, the default service routines for the MPL interrupts can be customized according to your application needs. However, as most of these routines handle the drive reaction to fault conditions, it is mandatory to keep the existent functionality while adding your application needs, in order to preserve the correct protection level of the drive. The procedure for modifying the MPL interrupts is similar with that for the homing modes.

5.4. Using Motion Libraries for PC-based Systems

A **MPL Library for PC** is a collection of high-level functions allowing you to control from a PC a network of ElectroCraft programmable drives. It is an ideal tool for quick implementation on PCs of motion control applications with ElectroCraft products.

With the MPL Motion Library functions you can: communicate with a drive / motor via any of its supported channels (RS-232, CAN-bus, etc.), send motion commands, get automatically or on request information about drive / motor status, check and modify its setup parameters, read inputs and set outputs, etc.

The MPL Motion Library can work under a **Windows** or **Linux** operating system. Implemented as a .dll/.so, it can be included in an application developed in **C/C++/C#, Visual Basic, Delphi Pascal** or **Labview**.

Using a MPL Motion Library for PC, you can focus on the main aspects of your application, while the motion programming part can be reduced to calling the appropriate functions and getting the confirmation when the task was done.

All ElectroCraft's MPL Motion Libraries for PCs are provided with PROconfig.

5.5. Using Motion Libraries for PLC-based Systems

A **MPL Motion Library for PLC** is a collection of high-level functions and function blocks allowing you to control from a PLC the ElectroCraft programmable drives. The motion control function blocks are developed in accordance with the **PLC IEC61131-3 standard** and represent an ideal tool for quick implementation on PLCs of motion control applications with ElectroCraft products.

With the MPL Motion Library functions you can: communicate with a drive/motor via any of its supported channels, send motion commands, get automatically or on request information about drive/motor status, check and modify its setup parameters, read inputs and set outputs, etc. Depending on the PLC type, the communication is done either directly with the CPU unit, or via a CANbus or RS-232 communication module.

Using a MPL Motion Library for PLC, you can focus on the main aspects of your PLC application, while the motion programming part can be reduced to calling the appropriate functions and monitoring the confirmations that the task was done.

All these blocks have been designed using the guidelines described in the PLC standards, so they can be used on any development platform that is **IEC 61136 compliant**.

All ElectroCraft's MPL Motion Libraries for PLC are provided with PROconfig.

6. Scaling factors

ElectroCraft drives work with parameters and variables represented in the drive internal units (IU). These correspond to various signal types: position, speed, current, voltage, etc. Each type of signal has its own internal representation in IU and a specific scaling factor. This chapter presents the drive internal units and their relation with the international standard units (SI).

In order to easily identify them, each internal unit has been named after its associated signal. For example the **position units** are the internal units for position, the **speed units** are the internal units for speed, etc.

6.1. Position units

6.1.1. Brushless / DC brushed motor with quadrature encoder on motor

The internal position units are encoder counts. The correspondence with the load **position in SI units**¹ is:

$$\text{Load_Position[SI]} = \frac{2 \times \pi}{4 \times \text{No_encoder_lines} \times \text{Tr}} \times \text{Motor_Position[IU]}$$

where:

No_encoder_lines – is the rotary encoder number of lines per revolution

Tr – transmission ratio between the motor displacement in SI units and load displacement in SI units

6.1.2. Brushless motor with linear Hall signals

The internal position units are counts. The motor is rotary. The resolution i.e. number of counts per revolution is programmable as a power of 2 between 512 and 8192. By default it is set at 2048 counts per turn. The correspondence with the load position in SI units is:

For rotary motors:
$$\text{Load_Position[SI]} = \frac{2 \times \pi}{\text{resolution} \times \text{Tr}} \times \text{Motor_Position[IU]}$$

For linear motors:
$$\text{Load_Position[SI]} = \frac{\text{Pole_Pitch}}{\text{Tr}} \times \text{Motor_Position[IU]}$$

where:

resolution – is the motor position resolution

Tr – transmission ratio between the motor displacement in SI units and load displacement in SI units

Pole_Pitch – is the magnetic pole pitch NN (distance expressed in [m])

6.1.3. DC brushed motor with quadrature encoder on load and tacho on motor

The internal position units are encoder counts. The motor is rotary and the transmission is rotary-to-rotary. The correspondence with the load position in SI units is:

$$\text{Load_Position[rad]} = \frac{2 \times \pi}{4 \times \text{No_encoder_lines}} \times \text{Load_Position[IU]}$$

where:

No_encoder_lines – is the encoder number of lines per revolution

¹SI units for position are: [rad] for a rotary movement, [m] for a linear movement

6.1.4. Step motor open-loop control. No feedback device

The internal position units are motor μ steps. The correspondence with the load **position in SI units** is:

$$\text{Load_Position[SI]} = \frac{2 \times \pi}{\text{No_}\mu\text{steps} \times \text{No_steps} \times \text{Tr}} \times \text{Motor_Position[IU]}$$

where:

No_steps – is the number of motor steps per revolution

No_μsteps – is the number of microsteps per step. You can read/change this value in the “Drive Setup” dialogue from PROconfig.

Tr – transmission ratio between the motor displacement in SI units and load displacement in SI units

Step motor closed-loop control. Incremental encoder on motor

The internal position units are motor encoder counts. The correspondence with the load **position in SI units**¹ is:

$$\text{Load_Position[SI]} = \frac{2 \times \pi}{4 \times \text{No_encoder_lines} \times \text{Tr}} \times \text{Motor_Position[IU]}$$

where:

No_encoder_lines – is the motor encoder number of lines per revolution

Tr – transmission ratio between the motor displacement in SI units and load displacement in SI units

6.1.5. Step motor open-loop control. Incremental encoder on load

The internal position units are load encoder counts. The transmission is rotary-to-rotary. The correspondence with the load position in SI units is:

$$\text{Load_Position[SI]} = \frac{2 \times \pi}{4 \times \text{No_encoder_lines}} \times \text{Load_Position[IU]}$$

where:

No_encoder_lines – is the rotary encoder number of lines per revolution

Tr – transmission ratio between the motor displacement in SI units and load displacement in SI units

6.1.6. Brushless motor with sine/cosine encoder on motor

The internal position units are interpolated encoder counts. The correspondence with the load position in SI units is:

¹ SI units for position are [rad] for a rotary movement , [m] for a linear movement

For rotary motors:

$$\text{Load_Position[SI]} = \frac{2 \times \pi}{4 \times \text{Enc_periods} \times \text{Interpolation} \times \text{Tr}} \times \text{Motor_Position[IU]}$$

For linear motors:

$$\text{Load_Position[SI]} = \frac{\text{Encoder_accuracy}}{\text{Interpolation} \times \text{Tr}} \times \text{Motor_Position[IU]}$$

where:

Enc_periods – is the rotary encoder number of sine/cosine periods or lines per revolution

Interpolation – is the interpolation level inside an encoder period. Its a number power of 2 between 1 and 256. 1 means no interpolation

Encoder_accuracy – is the linear encoder accuracy in [m] for one sine/cosine period

Tr – transmission ratio between the motor displacement in SI units and load displacement in SI units

6.2. Speed units

The internal speed units are internal position units / (slow loop sampling period) i.e. the position variation over one slow loop sampling period

6.2.1. Brushless / DC brushed motor with quadrature encoder on motor

The internal speed units are encoder counts / (slow loop sampling period). The correspondence with the load **speed in SI units** is:

$$\text{Load_Speed[SI]} = \frac{2 \times \pi}{4 \times \text{No_encoder_lines} \times \text{Tr} \times \text{T}} \times \text{Motor_Speed[IU]}$$

where:

No_encoder_lines – is the rotary encoder number of lines per revolution

Tr – transmission ratio between the motor displacement in SI units and load displacement in SI units

T – is the slow loop sampling period expressed in [s]. You can read this value in the “Advanced” dialogue, which can be opened from the “Drive Setup”

6.2.2. Brushless motor with linear Hall signals

The internal speed units are counts / (slow loop sampling period). The motor is rotary. The position resolution i.e. number of counts per revolution is programmable as a power of 2 between 512 and 8192. By default it is set at 2048 counts per turn. The correspondence with the load speed in SI units is:

For rotary motors:
$$\text{Load_Speed[SI]} = \frac{2 \times \pi}{\text{resolution} \times \text{Tr} \times \text{T}} \times \text{Motor_Speed[IU]}$$

For linear motors:
$$\text{Load_Speed[SI]} = \frac{\text{Pole_Pitch}}{\text{resolution} \times \text{Tr} \times \text{T}} \times \text{Motor_Speed[IU]}$$

where:

resolution – is the motor position resolution

Tr – transmission ratio between the motor displacement in SI units and load displacement in SI units

T – is the slow loop sampling period expressed in [s]. You can read this value in the “Advanced” dialogue, which can be opened from the “Drive Setup”

Pole_Pitch – is the magnetic pole pitch NN (distance expressed in [m])

6.2.3. DC brushed motor with quadrature encoder on load and tacho on motor

The internal speed units are encoder counts / (slow loop sampling period). The motor is rotary and the transmission is rotary-to-rotary. The correspondence with the load speed in SI units is:

$$\text{Load_Speed[SI]} = \frac{2 \times \pi}{4 \times \text{No_encoder_lines} \times \text{T}} \times \text{Load_Speed[IU]}$$

where:

No_encoder_lines – is the encoder number of lines per revolution

T – is the slow loop sampling period expressed in [s]. You can read this value in the “Advanced” dialogue, which can be opened from the “Drive Setup”

6.2.4. DC brushed motor with tacho on motor

When only a tachometer is mounted on the motor shaft, the internal speed units are A/D converter bits. The correspondence with the load **speed in SI units**¹ is:

$$\text{Load_Speed[SI]} = \frac{\text{Analogue_Input_Range}}{4096 \times \text{Tacho_gain} \times \text{Tr}} \times \text{Motor_Speed[IU]}$$

where:

Analog_Input_Range – is the range of the drive analog input for feedback, expressed in [V]. You can read this value in the “Drive Info” dialogue, which can be opened from the “Drive Setup”

Tacho_gain – is the tachometer gain expressed in [V/rad/s]

6.2.5. Step motor open-loop control. No feedback device

The internal speed units are motor μ steps / (slow loop sampling period). The correspondence with the load **speed in SI units** is:

¹ SI units for speed are [rad/s] for a rotary movement, [m/s] for a linear movement

$$\text{Load_Speed[SI]} = \frac{2 \times \pi}{\text{No_}\mu\text{steps} \times \text{No_steps} \times \text{Tr} \times \text{T}} \times \text{Motor_Speed[IU]}$$

where:

No_steps – is the number of motor steps per revolution

No_μsteps – is the number of microsteps per step. You can read/change this value in the “Drive Setup” dialogue from PROconfig.

Tr – transmission ratio between the motor displacement in SI units and load displacement in SI units

T – is the slow loop sampling period expressed in [s]. You can read this value in the “Advanced” dialogue, which can be opened from the “Drive Setup”

Step motor open-loop control. Incremental encoder on load

The internal speed units are load encoder counts / (slow loop sampling period). The transmission is rotary-to-rotary. The correspondence with the load speed in SI units is:

$$\text{Load_Speed[rad/s]} = \frac{2 \times \pi}{4 \times \text{No_encoder_lines} \times \text{T}} \times \text{Load_Speed[IU]}$$

where:

No_encoder_lines – is the rotary encoder number of lines per revolution

Tr – transmission ratio between the motor displacement in [rad] and load displacement in [rad] or [m]

T – is the slow loop sampling period expressed in [s]. You can read this value in the “Advanced” dialogue, which can be opened from the “Drive Setup”.

6.2.6. Step motor closed-loop control. Incremental encoder on motor

The internal speed units are motor encoder counts / (slow loop sampling period). The correspondence with the load **speed in SI units**¹ is:

$$\text{Load_Speed[SI]} = \frac{2 \times \pi}{4 \times \text{No_encoder_lines} \times \text{Tr} \times \text{T}} \times \text{Motor_Speed[IU]}$$

where:

No_encoder_lines – is the motor encoder number of lines per revolution

Tr – transmission ratio between the motor displacement in SI units and load displacement in SI units

T – is the slow loop sampling period expressed in [s]. You can read this value in the “Advanced” dialogue, which can be opened from the “Drive Setup”.

6.2.7. Brushless motor with sine/cosine encoder on motor

¹ SI units for speed are [rad/s] for a rotary movement , [m/s] for a linear movement

The internal speed units are interpolated encoder counts / (slow loop sampling period). The correspondence with the load speed in SI units is:

For rotary motors:

$$\text{Load_Speed[SI]} = \frac{2 \times \pi}{4 \times \text{Enc_periods} \times \text{Interpolation} \times \text{Tr} \times \text{T}} \times \text{Motor_Speed[IU]}$$

For linear motors:

$$\text{Load_Speed[SI]} = \frac{\text{Encoder_accuracy}}{\text{Interpolation} \times \text{Tr} \times \text{T}} \times \text{Motor_Speed[IU]}$$

where:

Enc_periods – is the rotary encoder number of sine/cosine periods or lines per revolution

Encoder_accuracy – is the linear encoder accuracy in [m] for one sine/cosine period

Interpolation – is the interpolation level inside an encoder period. Its a number power of 2 between 1 and 256. 1 means no interpolation

Tr – transmission ratio between the motor displacement in SI units and load displacement in SI units

T – is the slow loop sampling period expressed in [s]. You can read this value in the “Advanced” dialogue, which can be opened from the “Drive Setup”

6.3. Acceleration units

The internal acceleration units are internal position units / (slow loop sampling period)² i.e. the speed variation over one slow loop sampling period.

6.3.1. Brushless / DC brushed motor with quadrature encoder on motor

The internal acceleration units are encoder counts / (slow loop sampling period)². The correspondence with the load **acceleration in SI units** is:

$$\text{Load_Acceleration[SI]} = \frac{2 \times \pi}{4 \times \text{No_encoder_lines} \times \text{Tr} \times \text{T}^2} \times \text{Motor_Acceleration[IU]}$$

where:

No_encoder_lines – is the rotary encoder number of lines per revolution

Tr – transmission ratio between the motor displacement in SI units and load displacement in SI units

T – is the slow loop sampling period expressed in [s]. You can read this value in the “Advanced” dialogue, which can be opened from the “Drive Setup”

6.3.2. Brushless motor with linear Hall signals

The internal acceleration units are counts / (slow loop sampling period)². The motor is rotary. The position resolution i.e. number of counts per revolution is programmable as a power of 2 between

512 and 8192. By default it is set at 2048 counts per turn. The correspondence with the load **acceleration in SI units**¹ is:

For rotary motors:

$$\text{Load_Acceleration[SI]} = \frac{2 \times \pi}{\text{resolution} \times \text{Tr} \times \text{T}^2} \times \text{Motor_Acceleration[IU]}$$

For linear motors:

$$\text{Load_Acceleration[SI]} = \frac{\text{Pole_Pitch}}{\text{resolution} \times \text{Tr} \times \text{T}^2} \times \text{Motor_Acceleration[IU]}$$

where:

resolution – is the motor position resolution

Tr – transmission ratio between the motor displacement in SI units and load displacement in SI units

T – is the slow loop sampling period expressed in [s]. You can read this value in the “Advanced” dialogue, which can be opened from the “Drive Setup”

Pole_Pitch – is the magnetic pole pitch NN (distance expressed in [m])

6.3.3. DC brushed motor with quadrature encoder on load and tacho on motor

The internal acceleration units are encoder counts / (slow loop sampling period)². The motor is rotary and the transmission is rotary-to-rotary. The correspondence with the load acceleration in SI units is:

$$\text{Load_Acceleration[SI]} = \frac{2 \times \pi}{4 \times \text{No_encoder_lines} \times \text{T}^2} \times \text{Load_Acceleration[IU]}$$

where:

No_encoder_lines – is the encoder number of lines per revolution

T – is the slow loop sampling period expressed in [s]. You can read this value in the “Advanced” dialogue, which can be opened from the “Drive Setup”

6.3.4. Step motor open-loop control. No feedback device

The internal acceleration units are motor μ steps / (slow loop sampling period)². The correspondence with the load **acceleration in SI units** is:

$$\text{Load_Acceleration[SI]} = \frac{2 \times \pi}{\text{No_}\mu\text{steps} \times \text{No_steps} \times \text{Tr} \times \text{T}^2} \times \text{Motor_Acceleration[IU]}$$

¹ SI units for acceleration are [rad/s²] for a rotary movement, [m/s²] for a linear movement

where:

No_steps – is the number of motor steps per revolution

No_μsteps – is the number of microsteps per step. You can read/change this value in the “Drive Setup” dialogue from PROconfig.

Tr – transmission ratio between the motor displacement in SI units and load displacement in SI units

T – is the slow loop sampling period expressed in [s]. You can read this value in the “Advanced” dialogue, which can be opened from the “Drive Setup”

6.3.5. Step motor open-loop control. Incremental encoder on load

The internal acceleration units are load encoder counts / (slow loop sampling period)². The correspondence with the load acceleration in SI units is:

For rotary-to-rotary transmission:

$$\text{Load_Acceleration[SI]} = \frac{2 \times \pi}{4 \times \text{No_encoder_lines} \times T^2} \times \text{Load_Acceleration[IU]}$$

For rotary-to-linear transmission:

$$\text{Load_Acceleration[m/s}^2] = \frac{\text{Encoder_accuracy}}{T^2} \times \text{Load_Acceleration[IU]}$$

where:

No_encoder_lines – is the rotary encoder number of lines per revolution

Encoder_accuracy – is the linear encoder accuracy i.e. distance in [m] between 2 pulses

Tr – transmission ratio between the motor displacement in SI units and load displacement in SI units

T – is the slow loop sampling period expressed in [s]. You can read this value in the “Advanced” dialogue, which can be opened from the “Drive Setup”.

6.3.6. Step motor closed-loop control. Incremental encoder on motor

The internal acceleration units are motor encoder counts / (slow loop sampling period)². The transmission is rotary-to-rotary. The correspondence with the load **acceleration in SI units** is:

$$\text{Load_Acceleration[SI]} = \frac{2 \times \pi}{4 \times \text{No_encoder_lines} \times \text{Tr} \times T^2} \times \text{Motor_Acceleration[IU]}$$

where:

No_encoder_lines – is the motor encoder number of lines per revolution

Tr – transmission ratio between the motor displacement in SI units and load displacement in SI units

T – is the slow loop sampling period expressed in [s]. You can read this value in the “Advanced” dialogue, which can be opened from the “Drive Setup”

6.3.7. Brushless motor with sine/cosine encoder on motor

The internal acceleration units are interpolated encoder counts / (slow loop sampling period)². The correspondence with the load **acceleration in SI units**¹ is:

For rotary motors:

$$\text{Load_Acceleration[SI]} = \frac{2 \times \pi}{4 \times \text{Enc_periods} \times \text{Interpolation} \times \text{Tr} \times T^2} \times \text{Motor_Acceleration[IU]}$$

For linear motors:

$$\text{Load_Acceleration[SI]} = \frac{\text{Encoder_accuracy}}{\text{Interpolation} \times \text{Tr} \times T^2} \times \text{Motor_Acceleration[IU]}$$

where:

Enc_periods – is the rotary encoder number of sine/cosine periods or lines per revolution

Encoder_accuracy – is the linear encoder accuracy in [m] for one sine/cosine period

Interpolation – is the interpolation level inside an encoder period. Its a number power of 2 between 1 and 256. 1 means no interpolation

Tr – transmission ratio between the motor displacement in SI units and load displacement in SI units

T – is the slow loop sampling period expressed in [s]. You can read this value in the “Advanced” dialogue, which can be opened from the “Drive Setup”

6.4. Jerk units

The internal jerk units are internal position units / (slow loop sampling period)³ i.e. the acceleration variation over one slow loop sampling period.

6.4.1. Brushless / DC brushed motor with quadrature encoder on motor

The internal jerk units are encoder counts / (slow loop sampling period)³. The correspondence with the load **jerk in SI units**² is:

$$\text{Load_Jerk[SI]} = \frac{2 \times \pi}{4 \times \text{No_encoder_lines} \times \text{Tr} \times T^3} \times \text{Motor_Jerk[IU]}$$

where:

No_encoder_lines – is the rotary encoder number of lines per revolution

Tr – transmission ratio between the motor displacement in SI units and load displacement in SI units

¹ SI units for acceleration are [rad/s²] for a rotary movement, [m/s²] for a linear movement

² SI units for jerk are [rad/s³] for a rotary movement, [m/s³] for a linear movement

T – is the slow loop sampling period expressed in [s]. You can read this value in the “Advanced” dialogue, which can be opened from the “Drive Setup”

6.4.2. Brushless motor with linear Hall signals

The internal jerk units are counts / (slow loop sampling period)³. The motor is rotary. The position resolution i.e. number of counts per revolution is programmable as a power of 2 between 512 and 8192. By default it is set at 2048 counts per turn. The correspondence with the load acceleration in SI units is:

$$\text{For rotary motors: Load_Jerk[SI]} = \frac{2 \times \pi}{\text{resolution} \times \text{Tr} \times T^3} \times \text{Motor_Jerk[IU]}$$

$$\text{For linear motors: Load_Jerk[SI]} = \frac{\text{Pole_Pitch}}{\text{resolution} \times \text{Tr} \times T^3} \times \text{Motor_Jerk[IU]}$$

where:

resolution – is the motor position resolution

Tr – transmission ratio between the motor displacement in SI units and load displacement in SI units

T – is the slow loop sampling period expressed in [s]. You can read this value in the “Advanced” dialogue, which can be opened from the “Drive Setup”

Pole_Pitch – is the magnetic pole pitch NN (distance expressed in [m])

6.4.3. DC brushed motor with quadrature encoder on load and tacho on motor

The internal jerk units are encoder counts / (slow loop sampling period)³. The motor is rotary and the transmission is rotary-to-rotary. The correspondence with the load jerk in SI units is:

$$\text{Load_Jerk[SI]} = \frac{2 \times \pi}{4 \times \text{No_encoder_lines} \times T^3} \times \text{Load_Jerk[IU]}$$

where:

No_encoder_lines – is the encoder number of lines per revolution

T – is the slow loop sampling period expressed in [s]. You can read this value in the “Advanced” dialogue, which can be opened from the “Drive Setup”

6.4.4. Step motor open-loop control. No feedback device

The internal jerk units are motor μ steps / (slow loop sampling period)³. The correspondence with the load **jerk in SI units**¹ is:

$$\text{Load_Jerk[SI]} = \frac{2 \times \pi}{\text{No_}\mu\text{steps} \times \text{No_steps} \times \text{Tr} \times T^3} \times \text{Motor_Jerk[IU]}$$

¹ SI units for jerk are [rad/s³] for a rotary movement, [m/s³] for a linear movement

where:

No_steps – is the number of motor steps per revolution

No_μsteps – is the number of microsteps per step. You can read/change this value in the “Drive Setup” dialogue from PROconfig.

Tr – transmission ratio between the motor displacement in SI units and load displacement in SI units

T – is the slow loop sampling period expressed in [s]. You can read this value in the “Advanced” dialogue, which can be opened from the “Drive Setup”

6.4.5. Step motor open-loop control. Incremental encoder on load

The internal jerk units are load encoder counts / (slow loop sampling period)³. The transmission is rotary-to-rotary. The correspondence with the load jerk in SI units is:

$$\text{Load_Jerk[SI]} = \frac{2 \times \pi}{4 \times \text{No_encoder_lines} \times T^3} \times \text{Load_Jerk[IU]}$$

where:

No_encoder_lines – is the rotary encoder number of lines per revolution

T – is the slow loop sampling period expressed in [s]. You can read this value in the “Advanced” dialogue, which can be opened from the “Drive Setup”.

6.4.6. Step motor closed-loop control. Incremental encoder on motor

The internal jerk units are motor encoder counts / (slow loop sampling period)³. The correspondence with the load jerk in SI units is:

$$\text{Load_Jerk[SI]} = \frac{2 \times \pi}{4 \times \text{No_encoder_lines} \times \text{Tr} \times T^3} \times \text{Motor_Jerk[IU]}$$

where:

No_encoder_lines – is the motor encoder number of lines per revolution

Tr – transmission ratio between the motor displacement in SI units and load displacement in SI units

T – is the slow loop sampling period expressed in [s]. You can read this value in the “Advanced” dialogue, which can be opened from the “Drive Setup”.

6.4.7. Brushless motor with sine/cosine encoder on motor

The internal jerk units are interpolated encoder counts / (slow loop sampling period)³. The correspondence with the load jerk in SI units is:

For rotary motors:

$$\text{Load_Jerk[SI]} = \frac{2 \times \pi}{4 \times \text{Enc_periods} \times \text{Interpolation} \times \text{Tr} \times T^3} \times \text{Motor_Jerk[IU]}$$

For linear motors: $\text{Load_Jerk[S]} = \frac{\text{Encoder_accuracy}}{\text{Interpolation} \times \text{Tr} \times \text{T}^3} \times \text{Motor_Jerk[IU]}$

where:

Enc_periods – is the rotary encoder number of sine/cosine periods or lines per revolution

Encoder_accuracy – is the linear encoder accuracy in [m] for one sine/cosine period

Interpolation – is the interpolation level inside an encoder period. Its a number power of 2 between 1 an 256. 1 means no interpolation

Tr – transmission ratio between the motor displacement in SI units and load displacement in SI units

T – is the slow loop sampling period expressed in [s]. You can read this value in the “Advanced” dialogue, which can be opened from the “Drive Setup”

6.5. Current units

The internal current units refer to the motor phase currents. The correspondence with the motor currents in [A] is:

$$\text{Current[A]} = \frac{2 \times \text{lpeak}}{65520} \times \text{Current[IU]}$$

where lpeak – is the drive peak current expressed in [A]. You can read this value in the “Drive Info” dialogue, which can be opened from the “Drive Setup”.

6.6. Voltage command units

The internal voltage command units refer to the voltages applied on the motor. The significance of the voltage commands as well as the scaling factors, depend on the motor type and control method used.

In case of **brushless motors** driven in **sinusoidal** mode, a field oriented vector control is performed. The voltage command is the amplitude of the sinusoidal phase voltages. In this case, the correspondence with the motor phase voltages in SI units i.e. [V] is:

$$\text{Voltage command[V]} = \frac{1.1 \times \text{Vdc}}{65534} \times \text{Voltage command[IU]}$$

where Vdc – is the drive power supply voltage expressed in [V].

In case of **brushless** motors driven in **trapezoidal** mode, the voltage command is the voltage to apply between 2 of the motor phases, according with Hall signals values. In this case, the correspondence with the voltage applied in SI units i.e. [V] is:

$$\text{Voltage command[V]} = \frac{\text{Vdc}}{32767} \times \text{Voltage command[IU]}$$

This correspondence is also available for **DC brushed** motors which have the voltage command internal units as the brushless motors driven in trapezoidal mode.

6.7. Voltage measurement units

The internal voltage measurement units refer to the drive V_{MOT} supply voltage. The correspondence with the supply voltage in [V] is:

$$\text{Voltage_measured[V]} = \frac{\text{VdcMaxMeasurable}}{65520} \times \text{Voltage_measured[IU]}$$

where VdcMaxMeasurable – is the maximum measurable DC voltage expressed in [V]. You can read this value in the “Drive Info” dialogue, which can be opened from the “Drive Setup”.

Remark: *the voltage measurement units occur in the scaling of the over voltage and under voltage protections and the supply voltage measurement*

6.8. Time units

The internal time units are expressed in slow loop sampling periods. The correspondence with the time in [s] is:

$$\text{Time[s]} = T \times \text{Time[IU]}$$

where T – is the slow loop sampling period expressed in [s]. You can read this value in the “Advanced” dialogue, which can be opened from the “Drive Setup”. For example, if $T = 1\text{ms}$, one second = 1000 IU.

6.9. Master position units

When the master position is sent via a communication channel, the master position units depend on the type of position sensor present on the master axis.

6.10. Master speed units

The master speed is computed in internal units (IU) as master position units / slow loop sampling period i.e. the master position variation over one position/speed loop sampling period.

6.11. Motor position units

6.11.1. Brushless / DC brushed motor with quadrature encoder on motor

The internal motor position units are encoder counts. The correspondence with the motor position in SI units¹ is:

¹SI units for motor position are: [rad] for a rotary motor, [m] for a linear motor

$$\text{Motor_Position[SI]} = \frac{2 \times \pi}{4 \times \text{No_encoder_lines}} \times \text{Motor_Position[IU]}$$

where:

No_encoder_lines – is the rotary encoder number of lines per revolution

6.11.2. Brushless motor with linear Hall signals

The internal motor position units are counts. The motor is rotary. The resolution i.e. number of counts per revolution is programmable as a power of 2 between 512 and 8192. By default it is set at 2048 counts per turn. The correspondence with the motor position in SI units is:

For rotary motors:
$$\text{Motor_Position[SI]} = \frac{2 \times \pi}{\text{resolution}} \times \text{Motor_Position[IU]}$$

For linear motors:
$$\text{Motor_Position[SI]} = \frac{\text{Pole_Pitch}}{\text{resolution}} \times \text{Motor_Position[IU]}$$

where:

resolution – is the motor position resolution

Pole_Pitch – is the magnetic pole pitch NN (distance expressed in [m])

6.11.3. DC brushed motor with quadrature encoder on load and tacho on motor

The motor position is not computed.

6.11.4. Step motor open-loop control. No feedback device

The internal motor position units are motor μ steps. The correspondence with the motor **position in SI units**¹ is:

$$\text{Motor_Position[SI]} = \frac{2 \times \pi}{\text{No_}\mu\text{steps} \times \text{No_steps}} \times \text{Motor_Position[IU]}$$

where:

No_steps – is the number of motor steps per revolution

No_μsteps – is the number of microsteps per step. You can read/change this value in the “Drive Setup” dialogue from PROconfig.

6.11.5. Step motor open-loop control. Incremental encoder on load

In open-loop control configurations with incremental encoder on load, the motor position is not computed.

6.11.6. Step motor closed-loop control. Incremental encoder on motor

The internal motor position units are motor encoder counts. The correspondence with the motor position in SI units is:

$$\text{Motor_Position[SI]} = \frac{2 \times \pi}{4 \times \text{No_encoder_lines}} \times \text{Motor_Position[IU]}$$

where:

No_encoder_lines – is the motor encoder number of lines per revolution

6.11.7. Brushless motor with sine/cosine encoder on motor

The internal motor position units are interpolated encoder counts. The correspondence with the motor position in SI units is:

For rotary motors:

$$\text{Motor_Position[SI]} = \frac{2 \times \pi}{4 \times \text{Enc_periods} \times \text{Interpolation}} \times \text{Motor_Position[IU]}$$

For linear motors:

$$\text{Motor_Position[SI]} = \frac{\text{Encoder_accuracy}}{\text{Interpolation}} \times \text{Motor_Position[IU]}$$

where:

Enc_periods – is the rotary encoder number of sine/cosine periods or lines per revolution

Interpolation – is the interpolation level inside an encoder period. Its a number power of 2 between 1 and 256. 1 means no interpolation

Encoder_accuracy – is the linear encoder accuracy in [m] for one sine/cosine period

6.12. Motor speed units

6.12.1. Brushless / DC brushed motor with quadrature encoder on motor

The internal motor speed units are encoder counts / (slow loop sampling period). The correspondence with the motor **speed in SI units** is:

For rotary motors:
$$\text{Motor_Speed[SI]} = \frac{2 \times \pi}{4 \times \text{No_encoder_lines} \times T} \times \text{Motor_Speed[IU]}$$

where:

No_encoder_lines – is the rotary encoder number of lines per revolution

T – is the slow loop sampling period expressed in [s]. You can read this value in the “Advanced” dialogue, which can be opened from the “Drive Setup”

6.12.2. Brushless motor with linear Hall signals

The internal motor speed units are counts / (slow loop sampling period). The motor is rotary. The position resolution i.e. number of counts per revolution is programmable as a power of 2 between

512 and 8192. By default it is set at 2048 counts per turn. The correspondence with the motor speed in SI units is:

For rotary motors:
$$\text{Motor_Speed[SI]} = \frac{2 \times \pi}{\text{resolution} \times T} \times \text{Motor_Speed[IU]}$$

For linear motors:
$$\text{Motor_Speed[SI]} = \frac{\text{Pole_Pitch}}{\text{resolution} \times T} \times \text{Motor_Speed[IU]}$$

where:

resolution – is the motor position resolution

T – is the slow loop sampling period expressed in [s]. You can read this value in the “Advanced” dialogue, which can be opened from the “Drive Setup”

Pole_Pitch – is the magnetic pole pitch NN (distance expressed in [m])

6.12.3. DC brushed motor with quadrature encoder on load and tacho on motor

The internal motor speed units are A/D converter bits. The correspondence with the motor **speed in SI units**¹ is:

$$\text{Motor_Speed[SI]} = \frac{\text{Analogue_Input_Range}}{4096 \times \text{Tacho_gain}} \times \text{Motor_Speed[IU]}$$

where:

Analog_Input_Range – is the range of the drive analog input for feedback, expressed in [V]. You can read this value in the “Drive Info” dialogue, which can be opened from the “Drive Setup”

Tacho_gain – is the tachometer gain expressed in [V/rad/s]

6.12.4. DC brushed motor with tacho on motor

The internal motor speed units are A/D converter bits. The correspondence with the motor speed in SI units is:

$$\text{Motor_Speed[SI]} = \frac{\text{Analogue_Input_Range}}{4096 \times \text{Tacho_gain}} \times \text{Motor_Speed[IU]}$$

where:

Analog_Input_Range – is the range of the drive analog input for feedback, expressed in [V]. You can read this value in the “Drive Info” dialogue, which can be opened from the “Drive Setup”

Tacho_gain – is the tachometer gain expressed in [V/rad/s]

¹ SI units for motor speed are [rad/s] for a rotary motor, [m/s] for a linear motor

6.12.5. Step motor open-loop control. No feedback device or incremental encoder on load

The internal motor speed units are motor μ steps / (slow loop sampling period). The correspondence with the motor **speed in SI units** is:

$$\text{Motor_Speed[SI]} = \frac{2 \times \pi}{\text{No_}\mu\text{steps} \times \text{No_steps} \times T} \times \text{Motor_Speed[IU]}$$

where:

No_steps – is the number of motor steps per revolution

No_μsteps – is the number of microsteps per step. You can read/change this value in the “Drive Setup” dialogue from PROconfig.

T – is the slow loop sampling period expressed in [s]. You can read this value in the “Advanced” dialogue, which can be opened from the “Drive Setup”

6.12.6. Step motor closed-loop control. Incremental encoder on motor

The internal motor speed units are motor encoder counts / (slow loop sampling period). The correspondence with the load speed in SI units is:

$$\text{Motor_Speed[SI]} = \frac{2 \times \pi}{4 \times \text{No_encoder_lines} \times T} \times \text{Motor_Speed[IU]}$$

where:

No_encoder_lines – is the motor encoder number of lines per revolution

T – is the slow loop sampling period expressed in [s]. You can read this value in the “Advanced” dialogue, which can be opened from the “Drive Setup”.

6.12.7. Brushless motor with sine/cosine encoder on motor

The internal motor speed units are interpolated encoder counts / (slow loop sampling period). The correspondence with the motor speed in SI units is:

For rotary motors:

$$\text{Motor_Speed[SI]} = \frac{2 \times \pi}{4 \times \text{Enc_periods} \times \text{Interpolation} \times T} \times \text{Motor_Speed[IU]}$$

For linear motors:

$$\text{Motor_Speed[SI]} = \frac{\text{Encoder_accuracy}}{\text{Interpolation} \times T} \times \text{Motor_Speed[IU]}$$

where:

Enc_periods – is the rotary encoder number of sine/cosine periods or lines per revolution

Encoder_accuracy – is the linear encoder accuracy in [m] for one sine/cosine period

Interpolation – is the interpolation level inside an encoder period. Its a number power of 2 between 1 and 256. 1 means no interpolation

Tr – transmission ratio between the motor displacement in SI units and load displacement in SI units

T – is the slow loop sampling period expressed in [s]. You can read this value in the “Advanced” dialogue, which can be opened from the “Drive Setup”

7. Memory Map

PRO-A0xV36 has 2 types of memory available for user applications: 1K×16 SRAM and 4K×16 serial E²ROM.

The SRAM memory is mapped in the address range: 9000h to 9FFFh. It can be used to download and run a MPL program, to save real-time data acquisitions and to keep the cam tables during run-time.

The E²ROM is mapped in the address range: 4000h to 4FFFh. It is used to keep in a non-volatile memory the MPL programs, the cam tables and the drive setup information.

Remark: MotionPRO Developer handles automatically the memory allocation for each motion application. The memory map can be accessed and modified from the main folder of each application

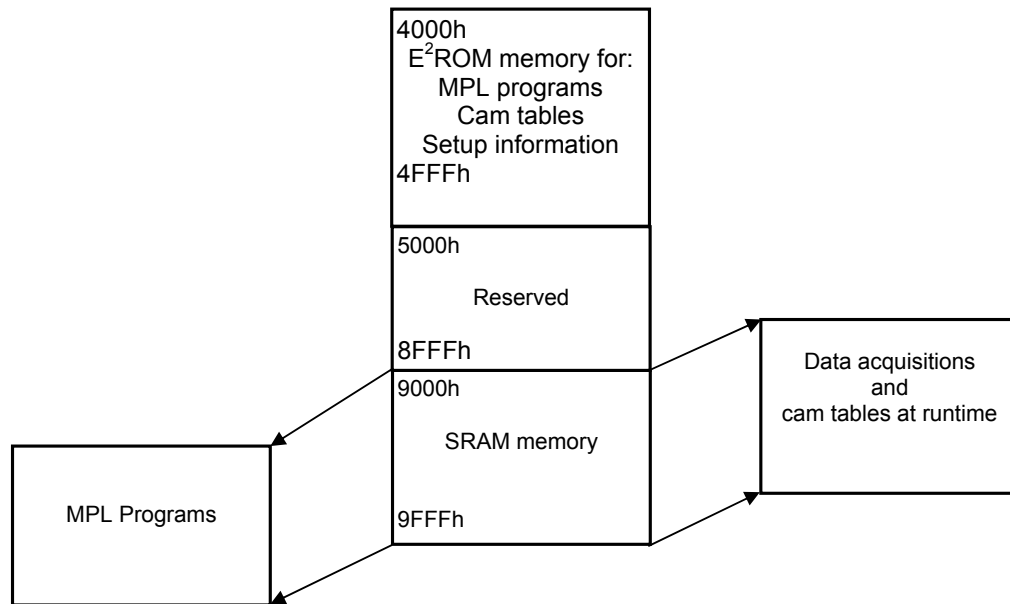


Figure 7.1. PRO-A0xV36Memory Map

This page is empty

